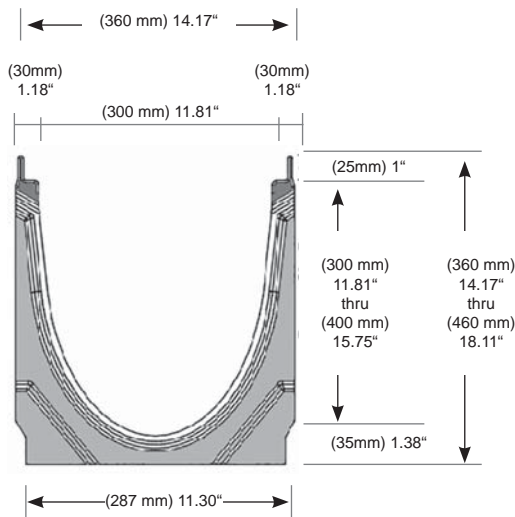


FILCOTEN® T1800
incl. cast iron rails



Note: The T1800 Series (with integral cast iron rails) are available in neutral trench drain bodies only. The T1800-ST (step connector) is required to connect the T1800N body to the T1810N and also to connect the T1810N body to the T1820N. Pages 16 and 17 explain why neutral bodies are better to use than sloped bodies.

T1800 - Per Foot Price Calculation:
Full size bodies:

All T1800 bodies (with integral, extra heavy duty, 5mm thick cast iron rail) have a List Price of \$770.00. Divide \$770.00 by 39.40" (length of the body) = \$19.5431 List per inch.

\$19.5431 x 12" = \$234.52 List per foot. (Body with integral, extra heavy duty, 5mm thick cast iron rail only)

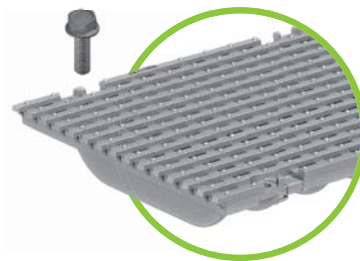
Full size standard ductile iron grates:

Divide the List Price (\$580.00 for the T1800-PG-4 for example) by length of the grate (20") = \$29.00

List per inch. \$29.00 x 12" = \$348.00 List per foot. (Grate Only)

Therefore, a typical T1800 trench drain system is \$582.52 List Price / foot (\$234.52 + \$348.00). This List Price includes

the body with integral cast iron rail and ductile iron grate. The four point self locking grate locking system, end caps, outlet connections and all other accessories are extra.



Ductile iron longitudinal slotted grating
4-point bolting
(T1800-PG-4)

FILCOTEN® T1800.

Body Part Number with cast iron rails	List Price, Each, Add	Body type	Slope	Overall Body Depth		Maximum Flow Rate			Weight (Less Grate)	
				E1 (Min.)	E2 (Max.)	GPM*	LPS*	CFS*	Lbs.	kg.
T1800N	\$770.00	Neutral	0 %	14.20" (360 mm)	14.20" (360 mm)	870.20	54.90	1.94	170.42	77.30
T1810N	\$770.00	Neutral	0 %	16.20" (410 mm)	16.20" (410 mm)	1103.20	69.60	2.46	199.08	90.30
T1820N	\$770.00	Neutral	0 %	18.20" (460 mm)	18.20" (460 mm)	1348.90	85.10	3.01	244.05	110.70

*GPM = Gallons per Minute
*LPS = Litres per Second
*CFS=Cubic Feet per Second



Gratings FILCOTEN® T1800 with 4-point bolting.

Model Number	Grates	Material	Dimensions in mm	Load class as per EN-standard	(Slot Width)	Weight/pc.		Inlet cross-section (Free Area)	List Price, Each, Add
						LBS	kg.		
T1800-PG-4	Longitudinal Slotted	ductile iron	13.62" x 19.68"	E -Extra Heavy Duty	1.14" by 0.51" (29x13 mm)	33.7	15.30	113.53 sq. inches	\$580.00
T1800-PG-4-13	Longitudinal Slotted	galvanized ductile iron	13.62" x 19.68"	E -Extra Heavy Duty	1.14" by 0.51" (29x13 mm)	33.7	15.30	113.53 sq. inches	\$910.00
T1800-BOLT	Bolts / nuts for Class E ductile iron longitudinal slotted grates (4 bolts per grate)								\$29.00 (for 4 bolts - 1 grate)