

Location: \_\_\_\_\_

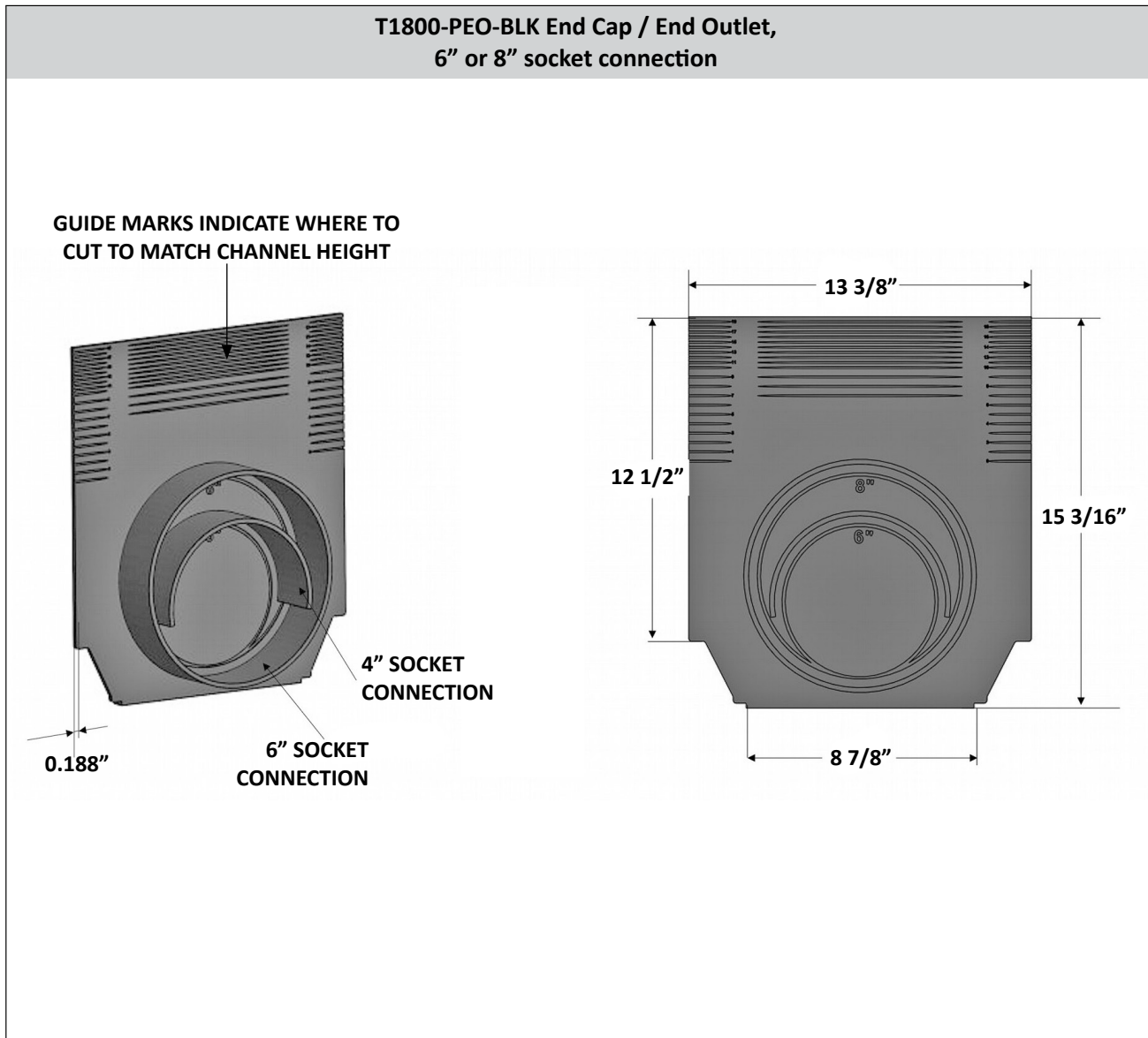


**T1800-PEO-BLK**

COMBINATION END OUTLET / END CAP FOR ALL  
T1800 POLYMER CONCRETE CHANNELS WITH  
DUCTILE IRON RAILS

**Specification:** MIFAB® T1800-PEO-BLK end outlet and end cap with 6" or 8" socket connection to secure to end of channel. Manufactured from black plastic material.

**Function:** Used to provide an end outlet connection or end cap for MIFAB's various T1800 polymer concrete channels with ductile iron rails. The black color of the T1800-PEO-BLK matches the black color of the ductile iron rails. Guide marks across the top of the part indicate where it is to be cut to match the finished height of the selected T1800 channel.



CALIFORNIA PROPOSITION 65 WARNING. This product contains chemicals known to the State of California to cause cancer and birth defects or other reproductive harm.

Job Name: \_\_\_\_\_ Page No: \_\_\_\_\_

Section No: \_\_\_\_\_ Contractor: \_\_\_\_\_

Schedule No: \_\_\_\_\_ Purchase Order No: \_\_\_\_\_