

Location: _____

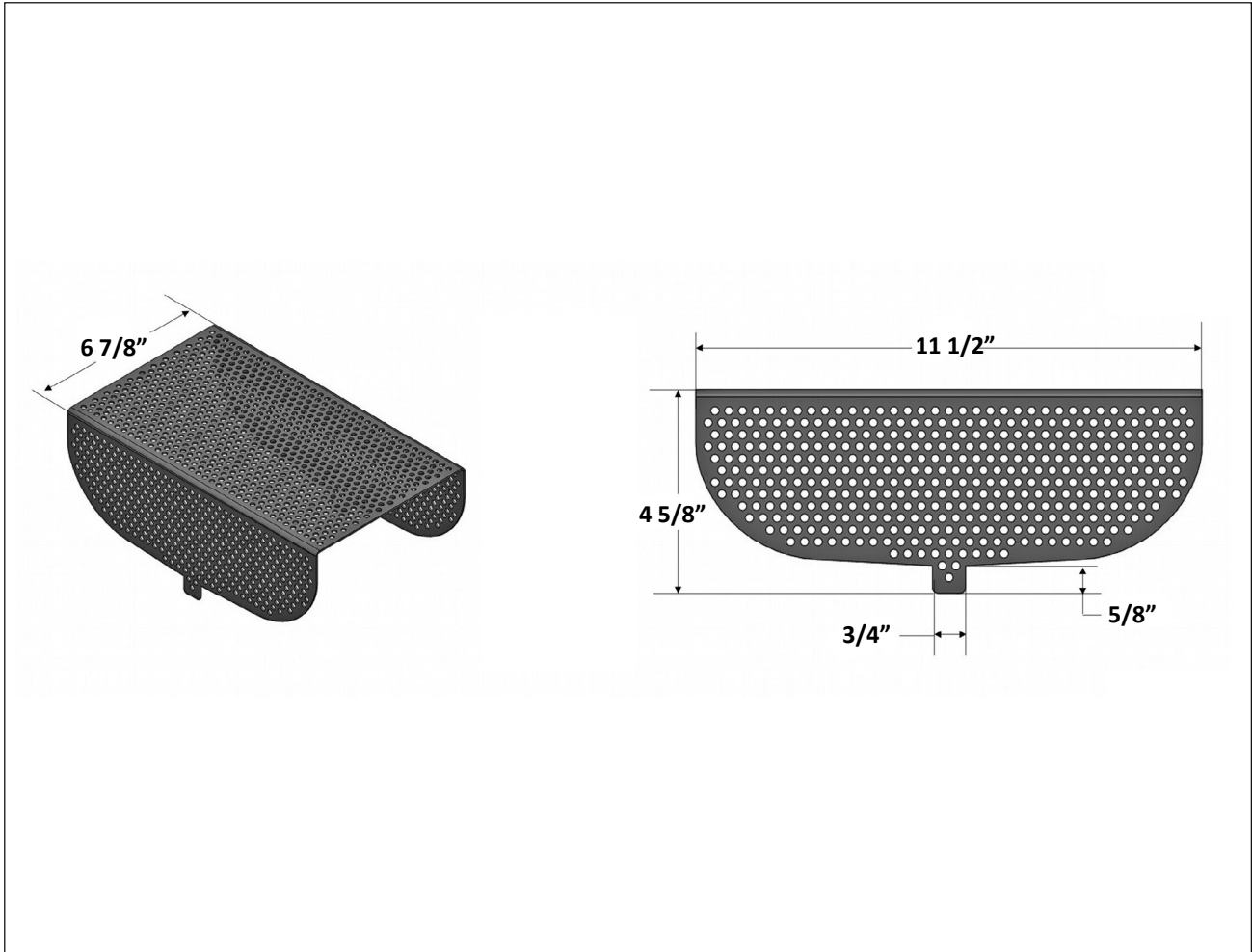


T1800-PBDS

**BOTTOM OUTLET STRAINER FOR ALL T1800
POLYMER CONCRETE CHANNELS**

Specification: MIFAB® T1800-PBDS bottom outlet strainer manufactured from powder coated 16 gauge galvanized steel.

Function: Used to provide a strainer above the bottom outlet for MIFAB’s various T1800 polymer concrete to prevent debris from entering and clogging the drain line.



CALIFORNIA PROPOSITION 65 WARNING. This product contains chemicals known to the State of California to cause cancer and birth defects or other reproductive harm.

Job Name: _____ Page No: _____
Section No: _____ Contractor: _____
Schedule No: _____ Purchase Order No: _____