

Location: _____

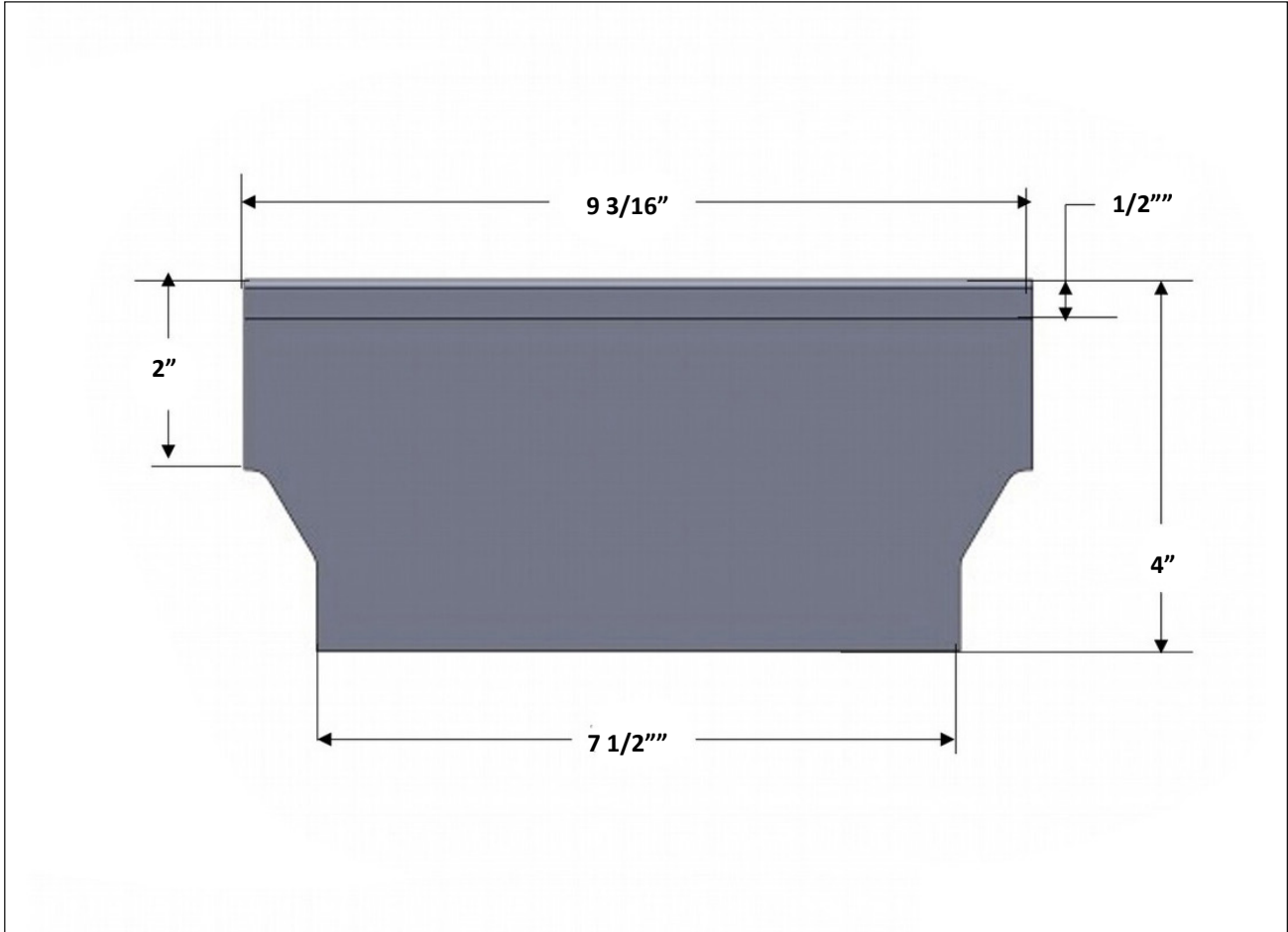


T1760-PEC

**END CAP FOR T1760N POLYMER
CONCRETE CHANNELS**

Specification: MIFAB® T1760-PEC plastic closed end cap for T1760N polymer concrete channels.

Function: Used as a closed end cap for the T1760N polymer concrete channels.



CALIFORNIA PROPOSITION 65 WARNING. This product contains chemicals known to the State of California to cause cancer and birth defects or other reproductive harm.

Job Name: _____ Page No: _____

Section No: _____ Contractor: _____

Schedule No: _____ Purchase Order No: _____

MIFAB reserves the right to make changes in material and design without formal notice and obligation.

USA: 1-800-465-2736 www.mifab.com CAN: 1-800-387-3880

2023-04-21