

Location: _____

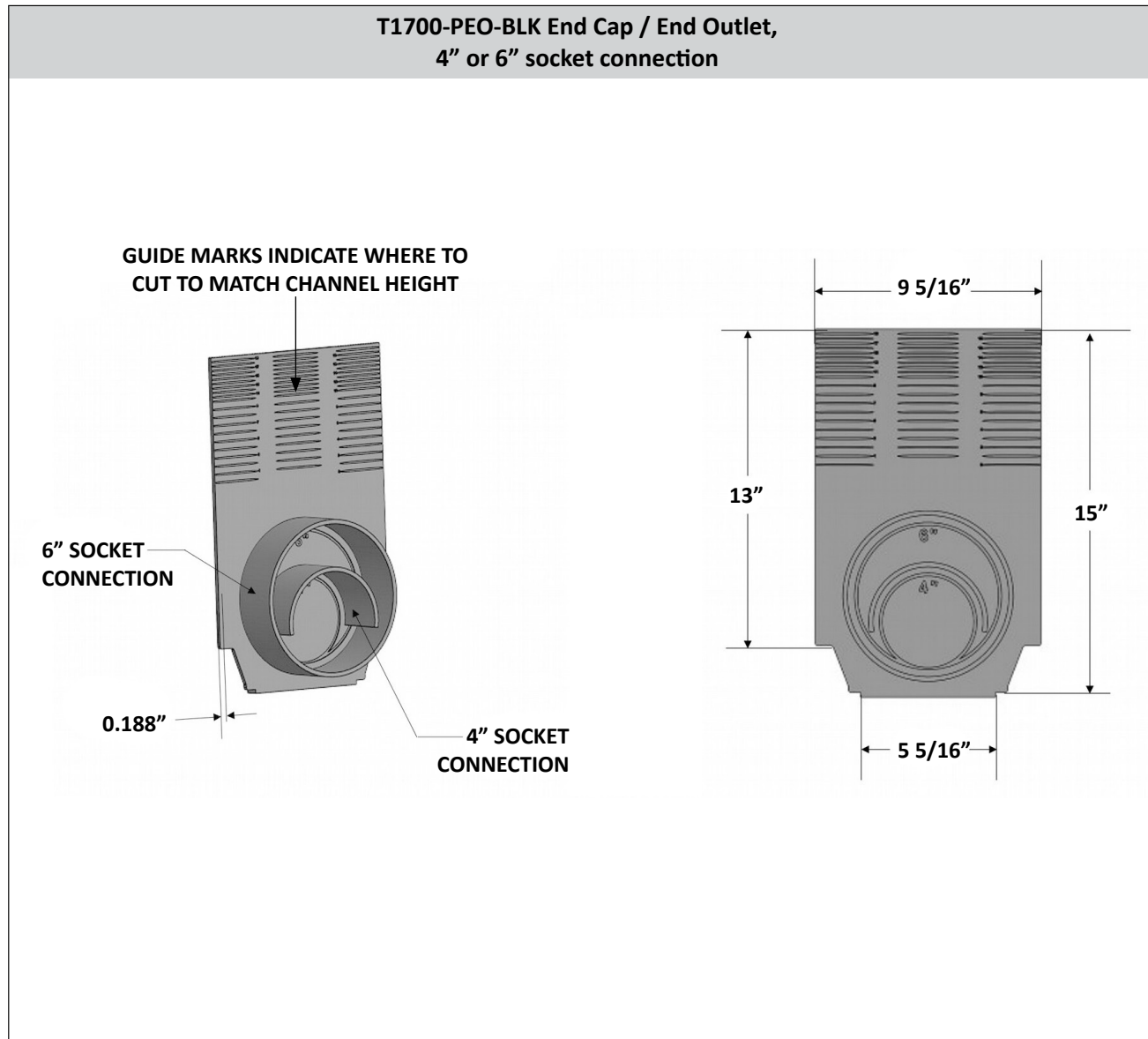


T1700-PEO-BLK

COMBINATION END OUTLET / END CAP FOR ALL
T1700 POLYMER CONCRETE CHANNELS WITH
DUCTILE IRON RAILS

Specification: MIFAB® T1700-PEO-BLK end outlet and end cap with 4" or 6" socket connection to secure to end of channel. Manufactured from black plastic material.

Function: Used to provide an end outlet connection or end cap for MIFAB's various T1700 polymer concrete channels with ductile iron rails. The black color of the T1700-PEO-BLK matches the black color of the ductile iron rails. Guide marks across the top of the part indicate where it is to be cut to match the finished height of the selected T1700 channel.



CALIFORNIA PROPOSITION 65 WARNING. This product contains chemicals known to the State of California to cause cancer and birth defects or other reproductive harm.

Job Name: _____ Page No: _____

Section No: _____ Contractor: _____

Schedule No: _____ Purchase Order No: _____