

Location: \_\_\_\_\_

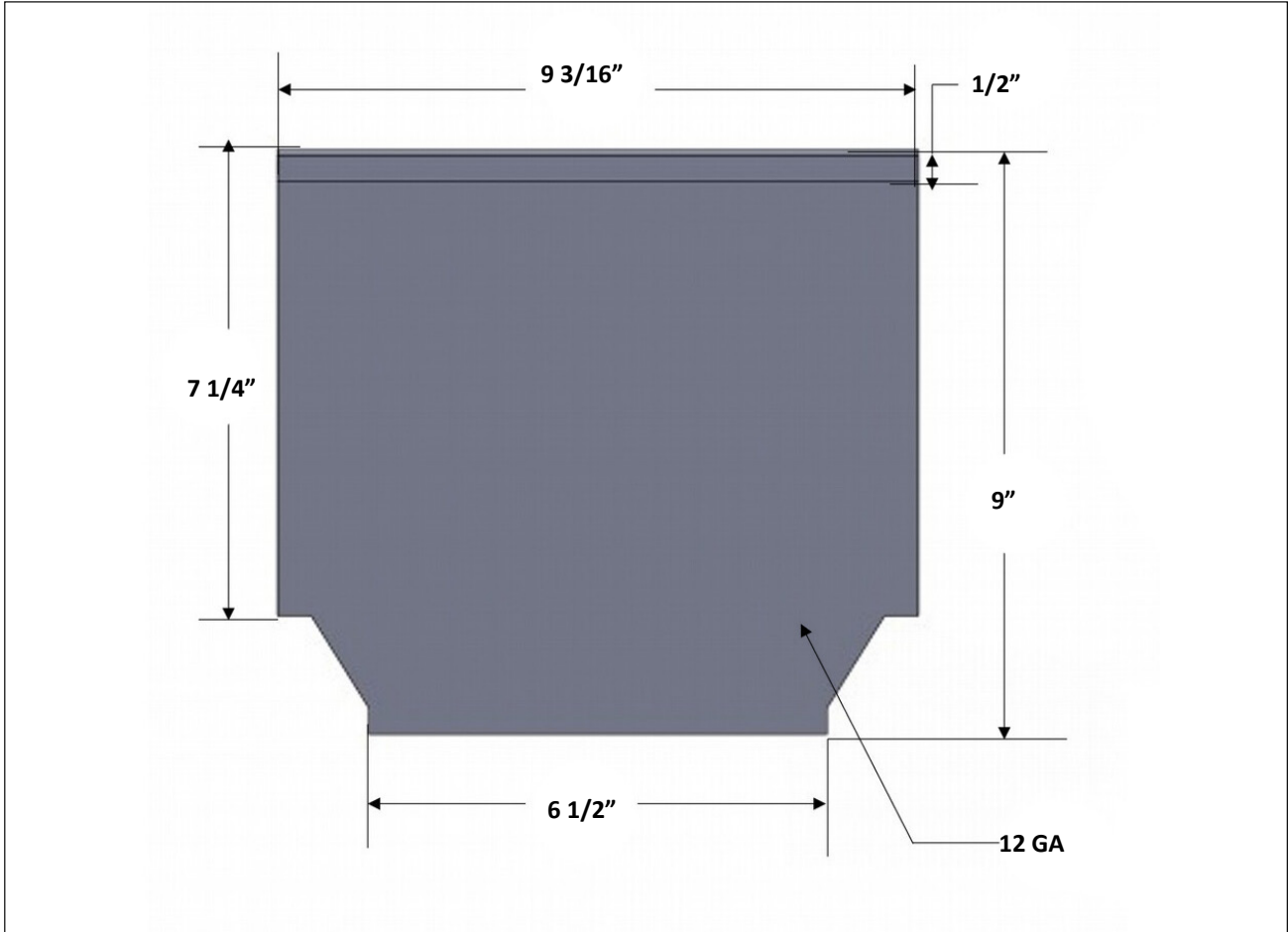


**T1700-PEC**

**END CAP FOR T1700N POLYMER  
CONCRETE CHANNELS**

**Specification:** MIFAB® T1700-PEC plastic closed end cap for T1700N polymer concrete channels.

**Function:** Used as a closed end cap for the T1700N polymer concrete channels.



CALIFORNIA PROPOSITION 65 WARNING. This product contains chemicals known to the State of California to cause cancer and birth defects or other reproductive harm.

Job Name: \_\_\_\_\_ Page No: \_\_\_\_\_

Section No: \_\_\_\_\_ Contractor: \_\_\_\_\_

Schedule No: \_\_\_\_\_ Purchase Order No: \_\_\_\_\_

MIFAB reserves the right to make changes in material and design without formal notice and obligation.

USA: 1-800-465-2736 [www.mifab.com](http://www.mifab.com) CAN: 1-800-387-3880

2023-04-21