

Location: \_\_\_\_\_



# T1700-PB-13 with Galvanized Steel Integral Rail

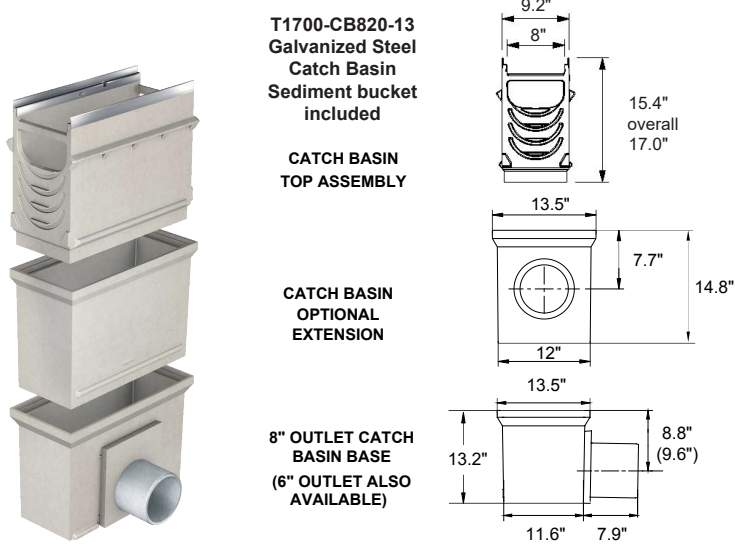
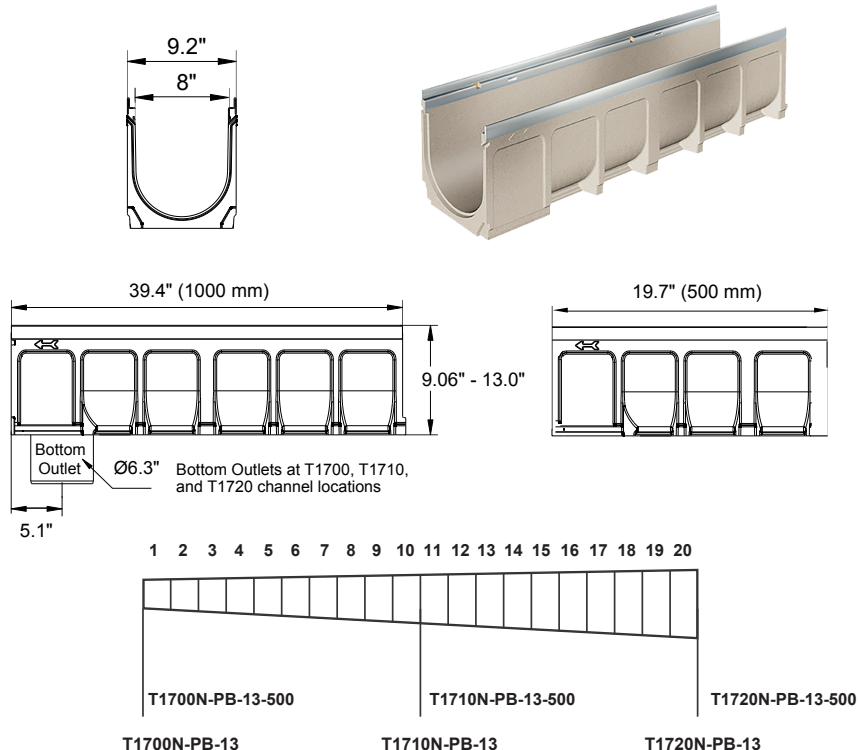


## Specification:

MIFAB®s T1700-PB-13 series channels shall be 39.4" (1000 mm) long with a 8" (200 mm) internal width. Interconnecting channel sections are made from high strength Polymer Concrete and available in sloping and non-sloping (neutral) channels. Each channel comes with a standard 4 mm galvanized steel edge rail which is mechanically embedded in the channel.

Installation devices, plastic end cap/outlet cap, and catch basins are available accessories. System comes complete with 6" preformed bottom outlets at the T1700, T1710, and T1720 channel locations. Grates (separate Specification Sheets) are available in in Load Class A-E in a variety of materials. Grates utilize the patented "Clipfix" locking mechanism.

CHANNEL MODEL #	BODY TYPE Sloped - .5% Neutral - 0%	INVERT BODY DEPTH		OVERALL BODY DEPTH		MAXIMUM FLOW RATE GPM	WEIGHT (LESS GRATE) LBS.
		E1 (Min.)	E2 (Max.)	E1 (Min.)	E2 (Max.)		
T1700N-PB-13	Neutral	7.29"	7.29"	9.06"	9.06"	473	63.21
T1700N-PB-13-B08	Neutral	7.29"	7.29"	9.06"	9.06"	473	63.21
T700N-PB-13-500	Neutral	7.29"	7.29"	9.06"	9.06"	473	32.36
T1701-PB-13	Sloped	7.29"	7.49"	9.06"	9.26"	498	63.34
T1702-PB-13	Sloped	7.49"	7.68"	9.26"	9.45"	521	64.04
T1703-PB-13	Sloped	7.68"	7.88"	9.45"	9.65"	545	64.74
T1704-PB-13	Sloped	7.88"	8.08"	9.65"	9.85"	571	65.44
T1705-PB-13	Sloped	8.08"	8.27"	9.85"	10.04"	596	66.13
T1706-PB-13	Sloped	8.27"	8.47"	10.04"	10.24"	621	66.83
T1707-PB-13	Sloped	8.47"	8.67"	10.24"	10.44"	648	67.53
T1708-PB-13	Sloped	8.67"	8.86"	10.44"	10.63"	675	68.23
T1709-PB-13	Sloped	8.86"	9.06"	10.63"	10.83"	704	68.93
T1710-PB-13	Sloped	9.06"	9.26"	10.83"	11.03"	732	70.33
T1710-PB-13-B06	Sloped	9.06"	9.26"	10.83"	11.03"	732	70.33
T1710N-PB-13	Neutral	9.26"	9.26"	11.03"	11.03"	732	70.77
T1710N-PB-13-B06	Neutral	9.26"	9.26"	11.03"	11.03"	732	71.87
T1710N-PB-13-500	Neutral	9.26"	9.26"	11.03"	11.03"	732	35.94
T1711-PB-13	Sloped	9.26"	9.45"	11.03"	11.23"	777	71.03
T1712-PB-13	Sloped	9.45"	9.65"	11.23"	11.42"	807	71.73
T1713-PB-13	Sloped	9.65"	9.85"	11.42"	11.62"	837	72.42
T1714-PB-13	Sloped	9.85"	10.04"	11.62"	11.82"	869	73.13
T1715-PB-13	Sloped	10.04"	10.24"	11.82"	12.01"	902	73.82
T1716-PB-13	Sloped	10.24"	10.44"	12.01"	12.21"	935	74.52
T1717-PB-13	Sloped	10.44"	10.63"	12.21"	12.41"	968	75.22
T1718-PB-13	Sloped	10.63"	10.83"	12.41"	12.60"	1003	75.92
T1719-PB-13	Sloped	10.83"	11.03"	12.60"	12.80"	1038	76.62
T1720-PB-13	Sloped	11.03"	11.23"	12.80"	13.00"	1105	77.32
T1720-PB-13-B06	Sloped	11.03"	11.23"	12.80"	13.00"	1105	77.32
T1720N-PB-13	Neutral	11.23"	11.23"	13.00"	13.00"	1105	79.87
T720N-PB-13-B06	Neutral	11.23"	11.23"	13.00"	13.00"	1105	79.81
T1720N-PB-13-500	Neutral	11.23"	11.23"	13.00"	13.00"	1105	36.38



**CLIPFIX ADVANTAGE**  
 The MEA polymer concrete channels have been designed for our universal CLIPFIX grate locking mechanism. The system (channel and grate) provides longitudinal shift protection.

Job Name: _____	Page No: _____
Section No: _____	Contractor: _____
Schedule No: _____	Purchase Order No: _____

Revision Date: 2024-03-05

CALIFORNIA PROPOSITION 65 WARNING. This product contains chemicals known to the State of California to cause cancer and birth defects or other reproductive harm.