

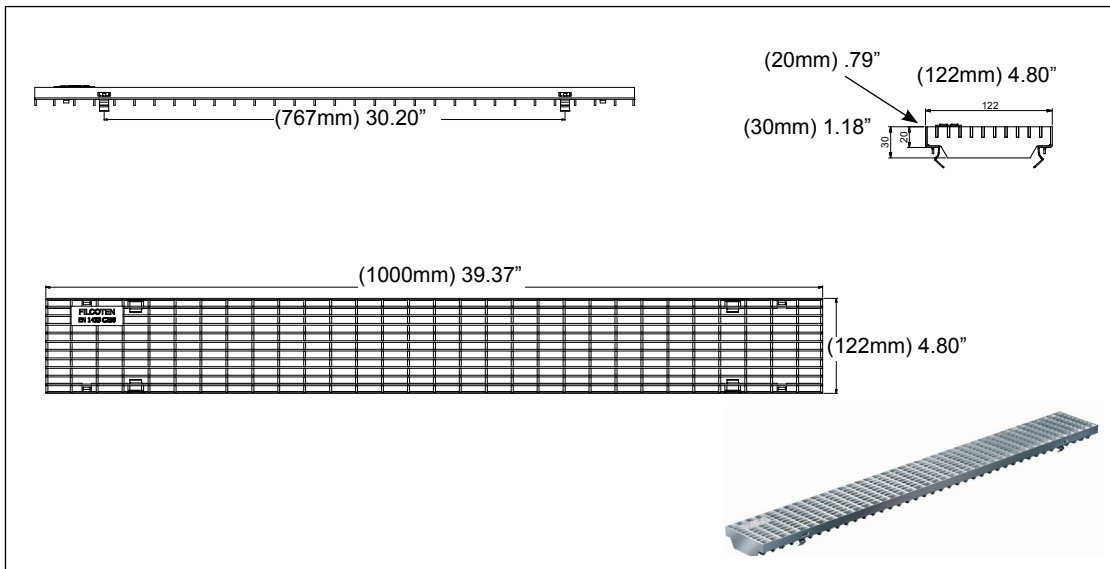
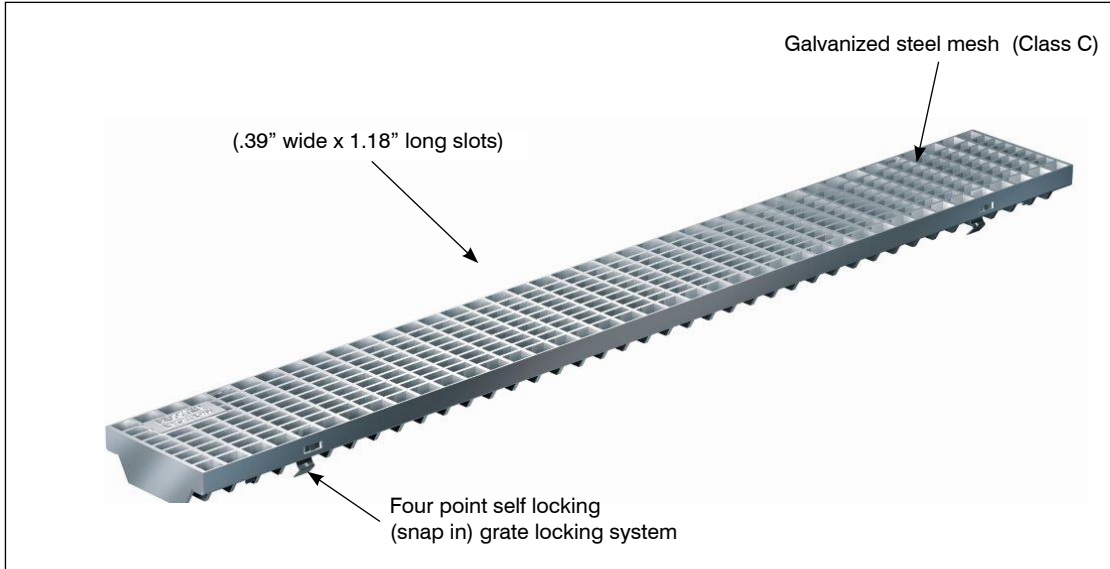
Location: \_\_\_\_\_



# T1500-PG-FMC

6" WIDE, GALVANIZED STEEL, FABRICATED, REINFORCED MESH (LOAD CLASS C) GRATE

**Specification:** MIFAB T1500-PG-FMC hot dip galvanized steel, fabricated reinforced ADA mesh grating (Load Class C), grate is 4.80" wide x 39.37" long, weighing 2.45 lbs. per linear foot. The grate has .39" wide x 1.18" long slots and has a free open area of 141 square inches and is H-20 and FAA load rated. The grate is secured to the body with a four point self-locking (snap in) system.



SUFFIX	OPTIONAL VARIATIONS
-6	Vandal Proof grate lockdown (Stainless Steel)

Load Class C- Heavy Duty, DIN 19580, 56,000 lbs. 1.162 psi. For commercial pneumatic tire traffic patterns and tractor trailers.

Job Name: _____	Page No: _____
Section No: _____	Contract: _____
Schedule No: _____	Purchase Order No: _____

MIFAB reserves the right to make changes in material and design without formal notice or obligation.

USA: 1-800-465-2736 [www.mifab.com](http://www.mifab.com) CAN: 1-800-387-3880