

Location: \_\_\_\_\_



# T1500-PB-4 with Ductile Iron Integral Rail

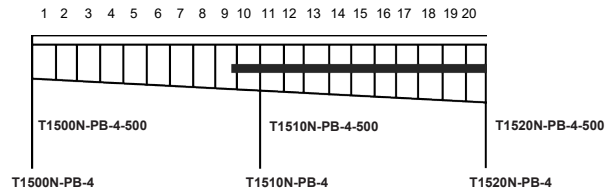
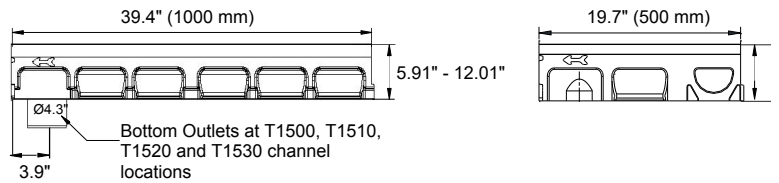
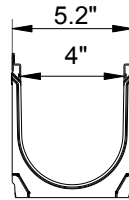


## Specification:

MIFAB®s T1500-PB-4 series channels shall be 39.4" (1000 mm) long with a 4" (100 mm) internal width. Interconnecting channels sections are made from high strength Polymer Concrete and available in sloping and non-sloping (neutral) channels. Each channel comes with a standard 7 mm ductile iron edge rail which is mechanically embedded in the channel.

Installation devices, plastic end cap/outlet cap, and catch basins are available accessories. System comes complete with 4" preformed bottom outlets at T1500, T1510 & T1520 channel locations. Grates (separate Specification Sheets) are available in in Load Class F in ductile iron. Grates utilize the patented "Profix" locking mechanism.

CHANNEL MODEL #	BODY TYPE Sloped - .5% Neutral - 0%	INVERT BODY DEPTH		OVERALL BODY DEPTH		MAXIMUM FLOW RATE GPM	WEIGHT (LESS GRATE) LBS.
		E1	E2	E1	E2		
		(Min.)	(Max.)	(Min.)	(Max.)		
T1500N-PB-4	Neutral	4.34"	4.34"	5.91"	5.91"	109	34.94
T1500N-PB-4-BO4	Neutral	4.34"	4.34"	5.91"	5.91"	109	31.97
T1500N-PB-4-500	Neutral	4.34"	4.34"	5.91"	5.91"	109	16.95
T1501-PB-4	Sloped	4.34"	4.53"	5.91"	6.11"	117	31.97
T1502-PB-4	Sloped	4.53"	4.73"	6.11"	6.30"	125	31.97
T1503-PB-4	Sloped	4.73"	4.93"	6.30"	6.50"	135	33.07
T1504-PB-4	Sloped	4.93"	5.12"	6.50"	6.70"	143	33.36
T1505-PB-4	Sloped	5.12"	5.32"	6.70"	6.89"	151	34.17
T1506-PB-4	Sloped	5.32"	5.52"	6.89"	7.09"	160	35.27
T1507-PB-4	Sloped	5.52"	5.71"	7.09"	7.29"	170	36.38
T1508-PB-4	Sloped	5.71"	5.91"	7.29"	7.49"	179	36.38
T1509-PB-4	Sloped	5.91"	6.11"	7.49"	7.68"	189	37.48
T1510-PB-4	Sloped	6.11"	6.30"	7.68"	7.88"	198	37.96
T1510-PB-4-BO4	Sloped	6.11"	6.30"	7.68"	7.88"	198	37.48
T1510N-PB-4	Neutral	6.30"	6.30"	7.88"	7.88"	198	37.99
T1510N-PB-4-BO4	Neutral	6.30"	6.30"	7.68"	7.88"	198	38.58
T1510N-PB-4-500	Neutral	6.30"	6.30"	7.88"	7.88"	198	19.84
T1511-PB-4	Sloped	6.30"	6.50"	7.88"	8.08"	209	39.03
T1512-PB-4	Sloped	6.50"	6.70"	8.08"	8.27"	219	39.65
T1513-PB-4	Sloped	6.70"	6.89"	8.27"	8.47"	230	40.26
T1514-PB-4	Sloped	6.89"	7.09"	8.47"	8.67"	241	40.88
T1515-PB-4	Sloped	7.09"	7.29"	8.67"	8.86"	252	41.50
T1516-PB-4	Sloped	7.29"	7.49"	8.86"	9.06"	268	42.11
T1517-PB-4	Sloped	7.49"	7.68"	9.06"	9.26"	281	42.73
T1518-PB-4	Sloped	7.68"	7.88"	9.26"	9.45"	293	43.35
T1519-PB-4	Sloped	7.88"	8.08"	9.45"	9.65"	306	43.97
T1520-PB-4	Sloped	8.08"	8.27"	9.65"	9.85"	319	44.58
T1520-PB-4-BO4	Sloped	8.08"	8.27"	9.65"	9.85"	319	44.58
T1520N-PB-4	Neutral	8.27"	8.27"	9.85"	9.85"	319	45.19
T1520N-PB-4-BO4	Neutral	8.27"	8.27"	9.85"	9.85"	319	45.19
T1520N-PB-4-500	Neutral	8.27"	8.27"	9.85"	9.85"	319	22.93

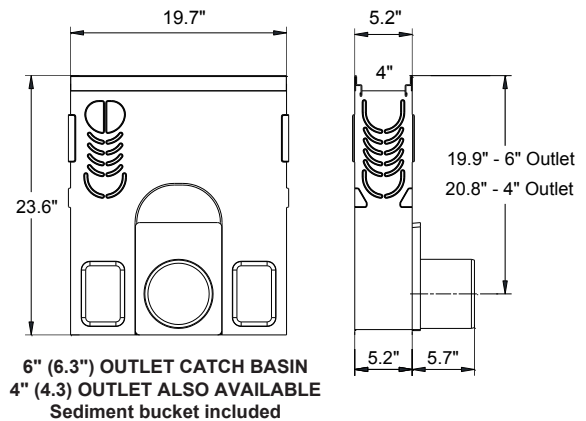


### PROFIX ADVANTAGE

The MEA polymer concrete channels have been designed for our universal PROFIX grate locking mechanism. The system (channel and grate) provides longitudinal shift protection.



T1500-CB620-4  
Ductile Iron Edge



Job Name: _____	Page No: _____
Section No: _____	Contractor: _____
Schedule No: _____	Purchase Order No: _____

Revision Date: 2024-03-05

CALIFORNIA PROPOSITION 65 WARNING. This product contains chemicals known to the State of California to cause cancer and birth defects or other reproductive harm.