

Location:



T1500-PB-13 with Galvanized Steel Integral Rail

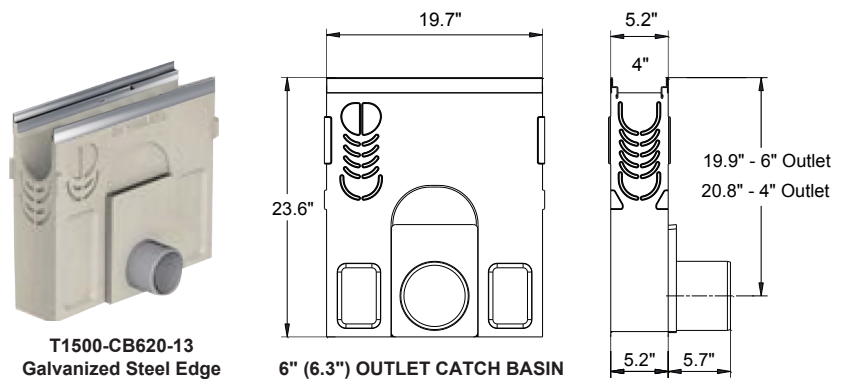
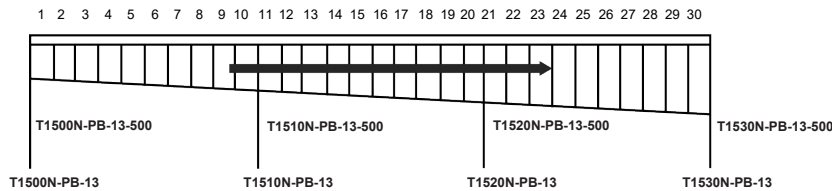
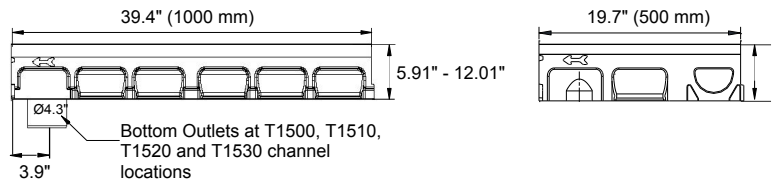
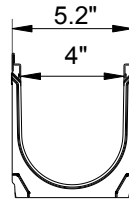


Specification:

MIFAB®s T1500-PB-13 series channels shall be 39.4" (1000 mm) long with a 4" (100 mm) internal width. Interconnecting channels sections are made from high strength Polymer Concrete and available in sloping and non-sloping (neutral) channels. Each channel comes with a standard 4 mm galvanized steel edge rail which is mechanically embedded in the channel.

Installation devices, plastic end cap/outlet cap, and catch basins are available accessories. System comes complete with 4" preformed bottom outlets at T1500, T1510, T1520 and T1530 channel locations. Grates (separate Specification Sheets) are available in in Load Class A-E in a variety of materials. Grates utilize the patented "Clipfix" locking mechanism.

CHANNEL MODEL #	BODY TYPE Sloped - .5% Neutral - 0%	INVERT BODY DEPTH		OVERALL BODY DEPTH		MAXIMUM FLOW RATE GPM	WEIGHT (LESS GRATE) LBS.
		E1	E2	E1	E2		
		(Min.)	(Max.)	(Min.)	(Max.)		
T1500N-PB-13	Neutral	4.34"	4.34"	5.91"	5.91"	109	34.94
T1500N-PB-13-BO4	Neutral	4.34"	4.34"	5.91"	5.91"	109	31.97
T1500N-PB-13-500	Neutral	4.34"	4.34"	5.91"	5.91"	109	16.95
T1501-PB-13	Sloped	4.34"	4.53"	5.91"	6.11"	117	31.97
T1502-PB-13	Sloped	4.53"	4.73"	6.11"	6.30"	125	31.97
T1503-PB-13	Sloped	4.73"	4.93"	6.30"	6.50"	135	33.07
T1504-PB-13	Sloped	4.93"	5.12"	6.50"	6.70"	143	33.36
T1505-PB-13	Sloped	5.12"	5.32"	6.70"	6.89"	151	34.17
T1506-PB-13	Sloped	5.32"	5.52"	6.89"	7.09"	160	35.27
T1507-PB-13	Sloped	5.52"	5.71"	7.09"	7.29"	170	36.38
T1508-PB-13	Sloped	5.71"	5.91"	7.29"	7.49"	179	36.38
T1509-PB-13	Sloped	5.91"	6.11"	7.49"	7.68"	189	37.48
T1510-PB-13	Sloped	6.11"	6.30"	7.68"	7.88"	198	37.96
T1510-PB-13-BO4	Sloped	6.11"	6.30"	7.68"	7.88"	198	37.48
T1510N-PB-13	Neutral	6.30"	6.30"	7.88"	7.88"	198	37.99
T1510N-PB-13-BO4	Neutral	6.30"	6.30"	7.88"	7.88"	198	38.58
T1510N-PB-13-500	Neutral	6.30"	6.30"	7.88"	7.88"	198	19.84
T1511-PB-13	Sloped	6.30"	6.50"	7.88"	8.08"	209	39.03
T1512-PB-13	Sloped	6.50"	6.70"	8.08"	8.27"	219	39.65
T1513-PB-13	Sloped	6.70"	6.89"	8.27"	8.47"	230	40.26
T1514-PB-13	Sloped	6.89"	7.09"	8.47"	8.67"	241	40.88
T1515-PB-13	Sloped	7.09"	7.29"	8.67"	8.86"	252	41.50
T1516-PB-13	Sloped	7.29"	7.49"	8.86"	9.06"	268	42.11
T1517-PB-13	Sloped	7.49"	7.68"	9.06"	9.26"	281	42.73
T1518-PB-13	Sloped	7.68"	7.88"	9.26"	9.45"	293	43.35
T1519-PB-13	Sloped	7.88"	8.08"	9.45"	9.65"	306	43.97
T1520-PB-13	Sloped	8.08"	8.27"	9.65"	9.85"	319	44.58
T1520-PB-13-BO4	Sloped	8.08"	8.27"	9.65"	9.85"	319	44.58
T1520N-PB-13	Neutral	8.27"	8.27"	9.85"	9.85"	319	45.19
T1520N-PB-13-BO4	Neutral	8.27"	8.27"	9.85"	9.85"	319	45.19
T1520N-PB-13-500	Neutral	8.27"	8.27"	9.85"	9.85"	319	22.93
T1521-PB-13	Sloped	8.27"	8.47"	10.04"	10.24"	331	47.95
T1522-PB-13	Sloped	8.47"	8.67"	10.24"	10.44"	346	48.57
T1523-PB-13	Sloped	8.67"	8.86"	10.44"	10.63"	360	49.19
T1524-PB-13	Sloped	8.86"	9.06"	10.63"	10.83"	374	49.80
T1525-PB-13	Sloped	9.06"	9.26"	10.83"	11.03"	388	50.42
T1526-PB-13	Sloped	9.26"	9.45"	11.03"	11.23"	412	51.04
T1527-PB-13	Sloped	9.45"	9.65"	11.23"	11.42"	428	51.65
T1528-PB-13	Sloped	9.65"	9.85"	11.42"	11.62"	444	52.27
T1529-PB-13	Sloped	9.85"	10.04"	11.62"	11.82"	460	52.89
T1530-PB-13	Sloped	10.04"	10.24"	11.82"	12.01"	477	53.51
T1530-PB-13-BO4	Sloped	10.04"	10.24"	11.82"	12.01"	477	53.51



T1500-CB620-13 Galvanized Steel Edge

6" (6.3") OUTLET CATCH BASIN
4" (4.3) OUTLET ALSO AVAILABLE
Sediment bucket included



CLIPFIX ADVANTAGE

The MEA polymer concrete channels have been designed for our universal CLIPFIX grate locking mechanism. The system (channel and grate) provides longitudinal shift protection.

Job Name: _____	Page No: _____
Section No: _____	Contractor: _____
Schedule No: _____	Purchase Order No: _____

Revision Date: 2024-03-05

CALIFORNIA PROPOSITION 65 WARNING. This product contains chemicals known to the State of California to cause cancer and birth defects or other reproductive harm.