

Location: _____

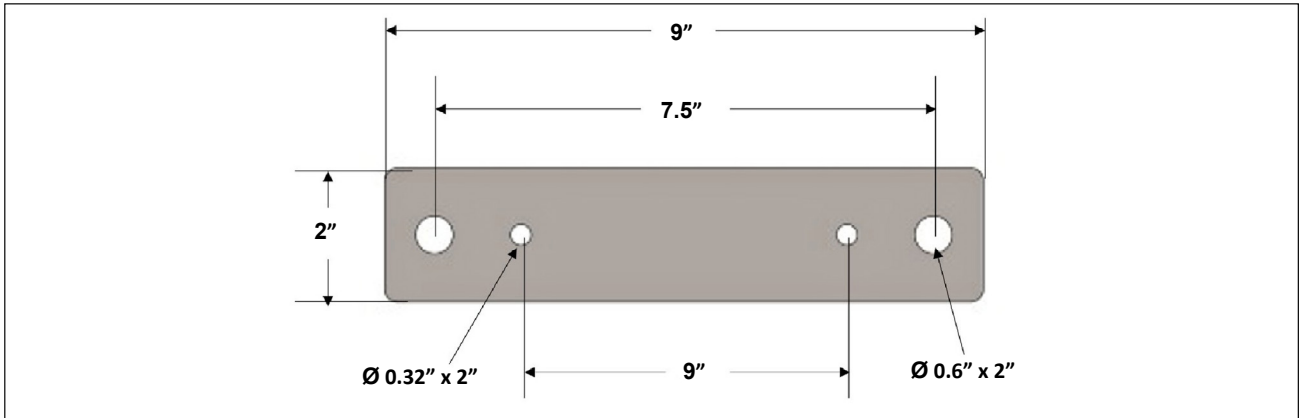


T1460N-REB

INSTALLATION DEVICE FOR ALL T1460N GRP CHANNELS

Specification: MIFAB® T1460N-REB Type 304 stainless steel installation device with mounting holes.

Function: Used to secure the T1460N shallow channels to decking. Holes are provided with the T1460N-REB to bolt to the underside of the T1460N channels and also to secure to the decking.

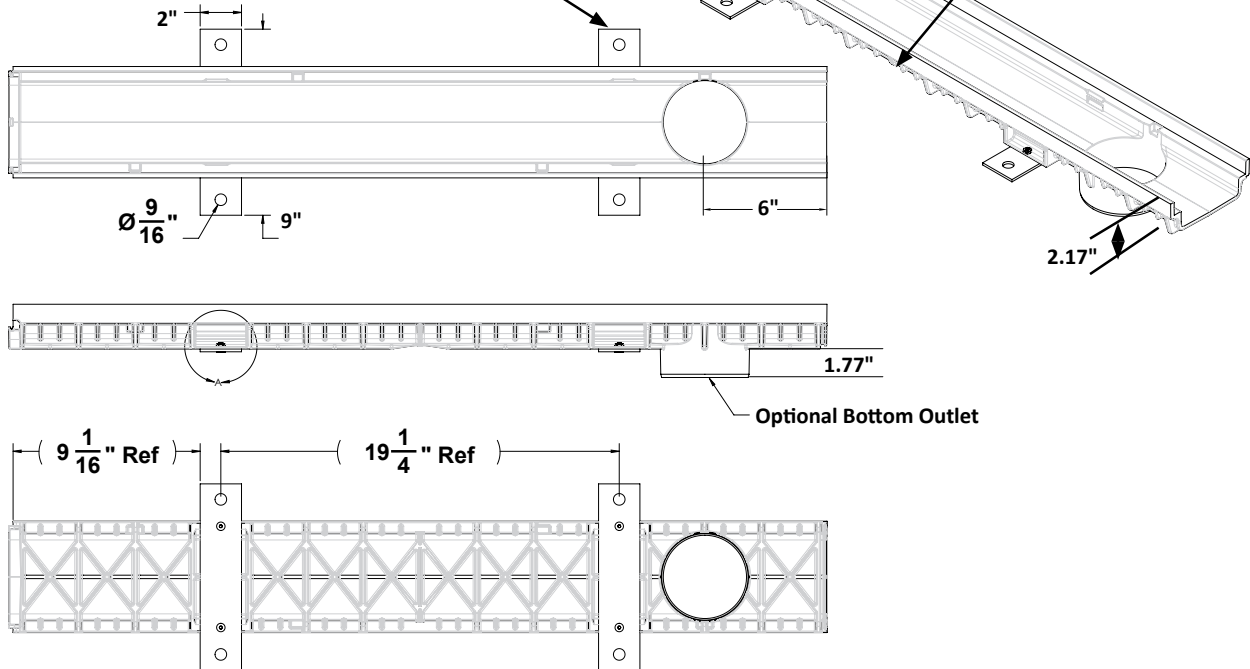


Installation Device for shallow T1460N channels

Meets the Buy America Act

Flat, Type 304 stainless stainless installation device. Part # T1460N-REB

T1460N-PB shallow channels - only 2.17" deep



CALIFORNIA PROPOSITION 65 WARNING. This product contains chemicals known to the State of California to cause cancer and birth defects or other reproductive harm.

Job Name: _____ Page No: _____
Section No: _____ Contractor: _____
Schedule No: _____ Purchase Order No: _____

MIFAB reserves the right to make changes in material and design without formal notice and obligation. USA: 1-800-465-2736 www.mifab.com CAN: 1-800-387-3880

2023-04-25