

Location: \_\_\_\_\_



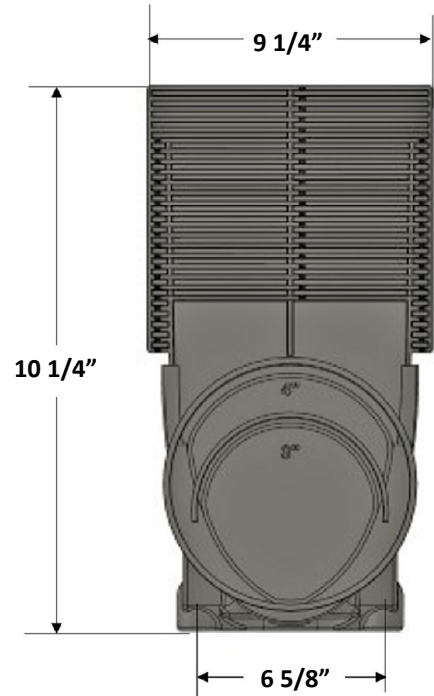
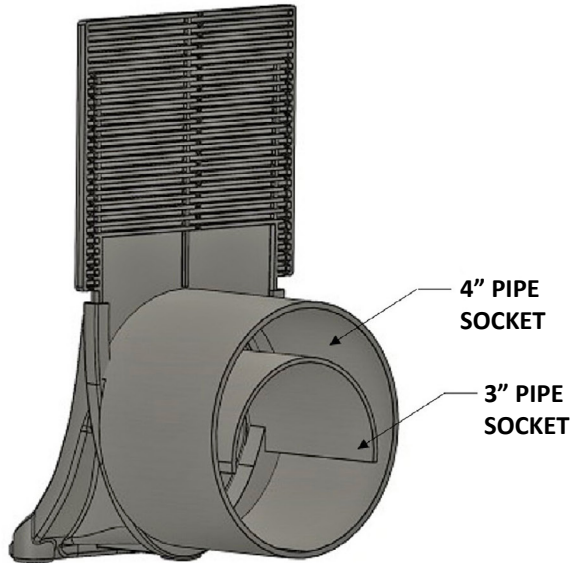
**T1400-SO4**

**SIDE OUTLET ADAPTER AND END OUTLET ASSEMBLY FOR T1400 NEUTRAL GRP CHANNELS**

**Specification:** MIFAB® T1400-SO4 plastic side outlet adapter and end outlet assembly for the T1400N, T1410N and T1420N neutral GRP channels. Designed to secure to the ends of these channels to have either a 3" or 4" side outlet connection.

**Function:** Used to provide a 90 degree end outlet connection for the T1400N, T1410N and T1420N neutral GRP channels.

It works with T1400N, T1410N, and T1420N channels.



**T1400-SO4**

<b>T1400-SO4 - T1400N</b>	Side Outlet Connector (T1400-SIDE-ADAPT and T1400-PEO for T1400N)
<b>T1410-SO4 - T1410N</b>	Side Outlet Connector (T1410-SIDE-ADAPT and T1400-PEO for T1410N)
<b>T1420-SO4 - T1420N</b>	Side Outlet Connector (T1420-SIDE-ADAPT and T1400-PEO for T1420N)

CALIFORNIA PROPOSITION 65 WARNING. This product contains chemicals known to the State of California to cause cancer and birth defects or other reproductive harm.

Job Name: \_\_\_\_\_ Page No: \_\_\_\_\_  
Section No: \_\_\_\_\_ Contractor: \_\_\_\_\_  
Schedule No: \_\_\_\_\_ Purchase Order No: \_\_\_\_\_