

Location: _____

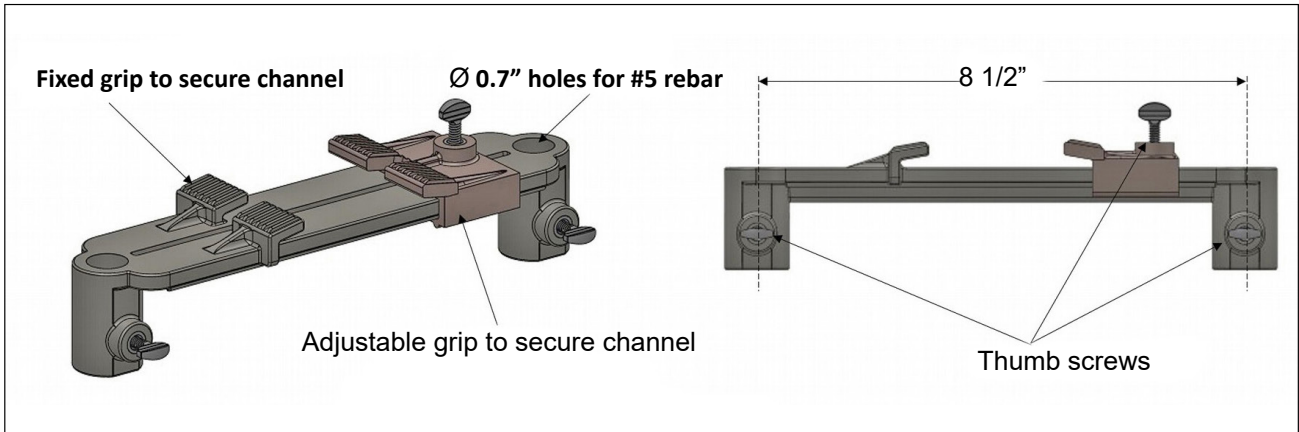


T1400-REB

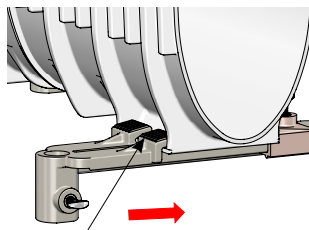
INSTALLATION DEVICE FOR ALL T1400 GRP CHANNELS

Specification: MIFAB® T1400-REB plastic installation device with sliding channel grip and galvanized steel thumbscrews.

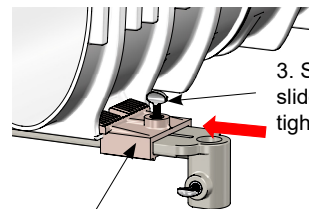
Function: Used to secure rebar / all threaded rods supporting the T1400 GRP channels. The adjustable slide channel grip secures tightly to the channel. Wing nut screws securely tighten to rebar / all threaded rods.



GRP Trench Installation Guide

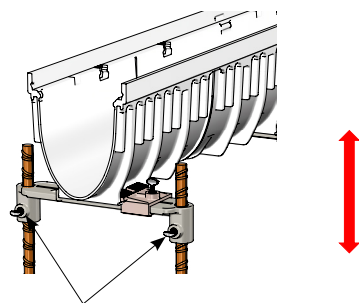


1. Ensure the installation device connects tightly to the channel.



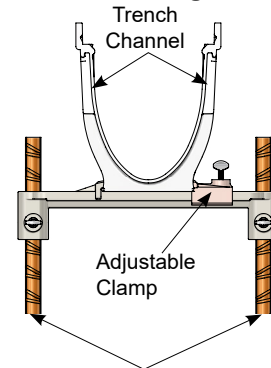
2. Push the adjustable slide against the channel lower profile until tight engagement.

3. Secure the adjustable slide position by tightening the wing nut.



4. Adjust to desired height, secure the installation device by tightening the two wing nuts.

Finished floor height to be 1/8" above the channel edge rail.



CALIFORNIA PROPOSITION 65 WARNING. This product contains chemicals known to the State of California to cause cancer and birth defects or other reproductive harm.

Job Name: _____ Page No: _____

Section No: _____ Contractor: _____

Schedule No: _____ Purchase Order No: _____

MIFAB reserves the right to make changes in material and design without formal notice and obligation. USA: 1-800-465-2736 www.mifab.com CAN: 1-800-387-3880

2023-04-15