

Location: _____

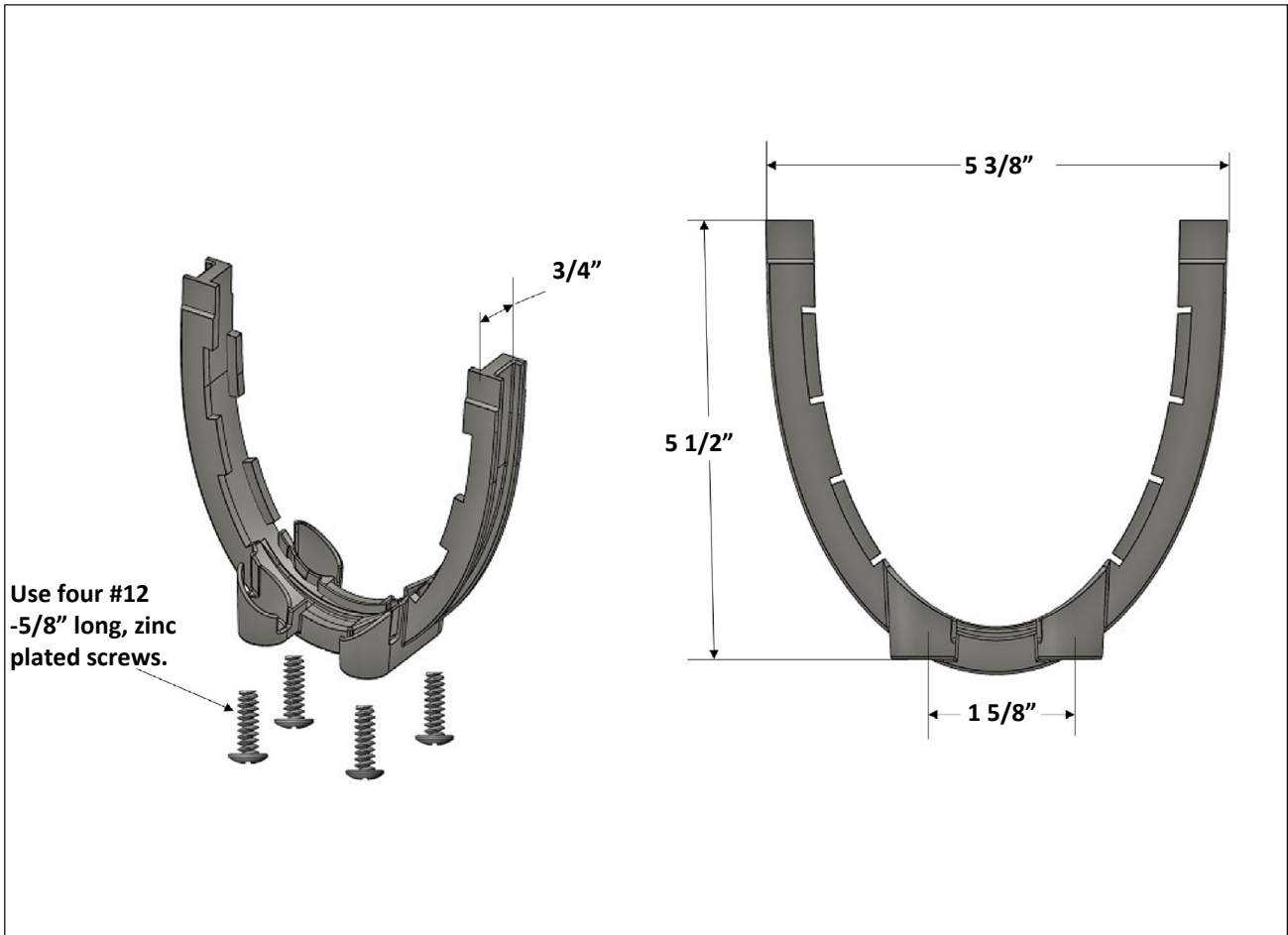


T1400-PMCC

T1400-PMCC MALE TO MALE CHANNEL CONNECTOR FOR T1400 GRP CHANNELS

Specification: MIFAB® T1400-PMCC male to male plastic channel connector for all T1400 GRP channels.

Function: Used to provide a male to male connector for any T1400 GRP channels.



CALIFORNIA PROPOSITION 65 WARNING. This product contains chemicals known to the State of California to cause cancer and birth defects or other reproductive harm.

Job Name: _____ Page No: _____

Section No: _____ Contractor: _____

Schedule No: _____ Purchase Order No: _____

MIFAB reserves the right to make changes in material and design without formal notice and obligation. USA: 1-800-465-2736 www.mifab.com CAN: 1-800-387-3880

2024-01-16