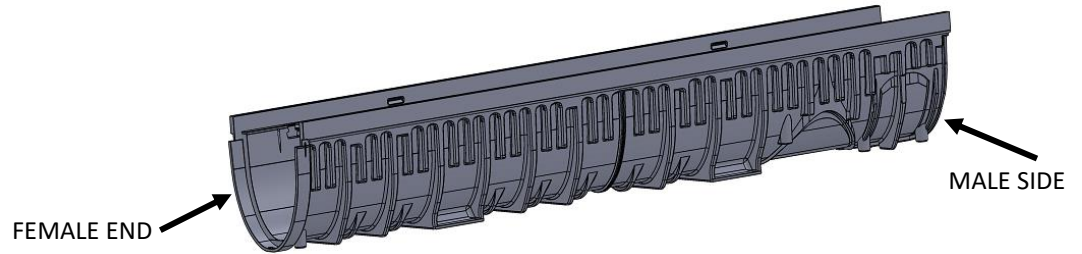


# T1400-PMCC (MALE-TO-MALE CONNECTOR) – INSTALLATION GIUDE

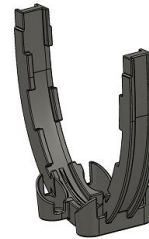
## PARTS:

1. T1400 CHANNEL



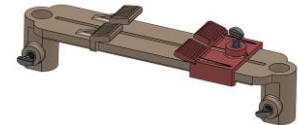
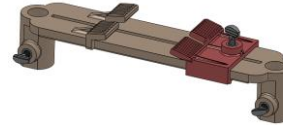
2. CONNECTOR

MALE SIDE →



← MALE SIDE

3. REBAR INSTALLION DEVICES



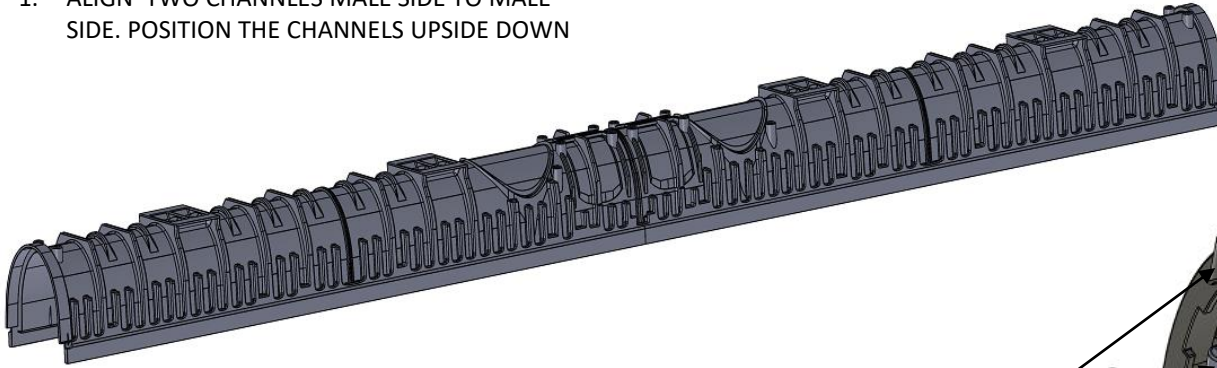
4. PHILLIPS HEAD SELF TAPPING #4 SCREWS FOR PLASTIC



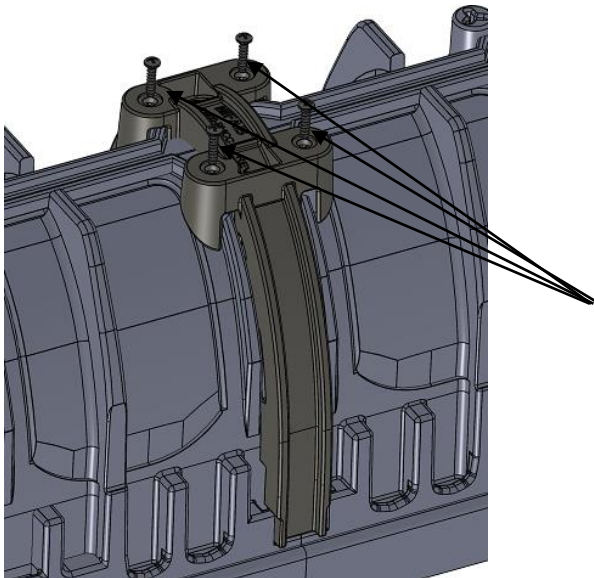
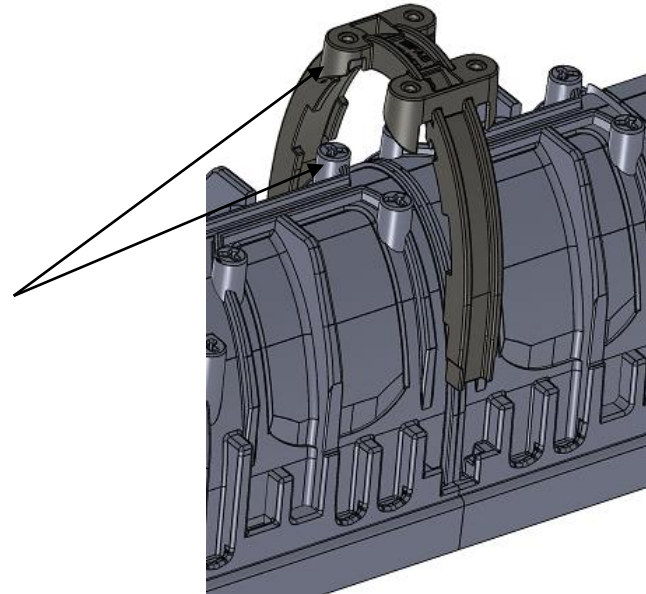
5. PHILLIPS SCREWDRIVER



1. ALIGN TWO CHANNELS MALE SIDE TO MALE SIDE. POSITION THE CHANNELS UPSIDE DOWN



2. ALIGN THE FOUR SIDE-END BOSSES OF THE TWO CHANNELS WITH CORRESPONDENT CONNECTOR SOCKETS



3. NEST THE CHANNELS MALE SIDE BOSSES INTO CONNECTOR SOKETS AND SECURE THE ASSEMBLY BY TIGHTEN THE FOUR PROVIDED SCKETS .

4. FLIP THE CHANNELS ASSEMBLY AND ATTACHED TO THEIR RESPECTIVE REBAR SUPPORTS. LEVEL THE ASSEMBLY BY ADJUSTING THE REBAR SUPPORTS.

