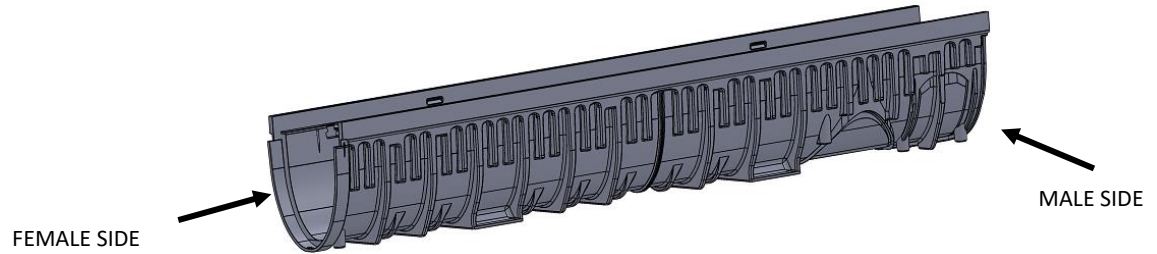


T1400-PFMC (FEMALE-TO-MALE CONNECTOR) – INSTALLATION GIUDE

PARTS:

1. T1400 CHANNEL



2. CONNECTOR



3. REBAR SUPPORTS

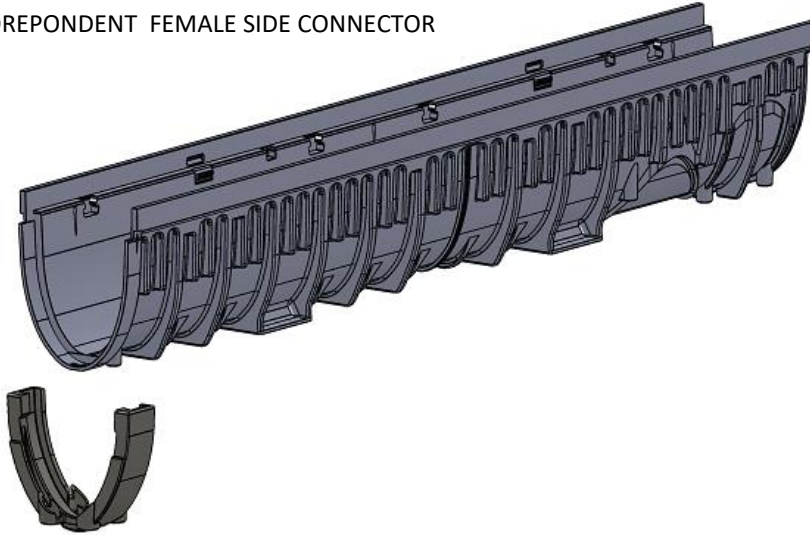


4. PHILLIPS HEAD SELF TAPPING SCREWS FOR PLASTIC

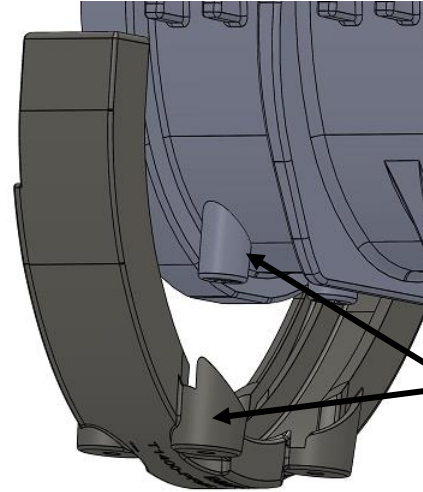


T1400-PFMC (FEMALE-TO-MALE CONNECTOR)

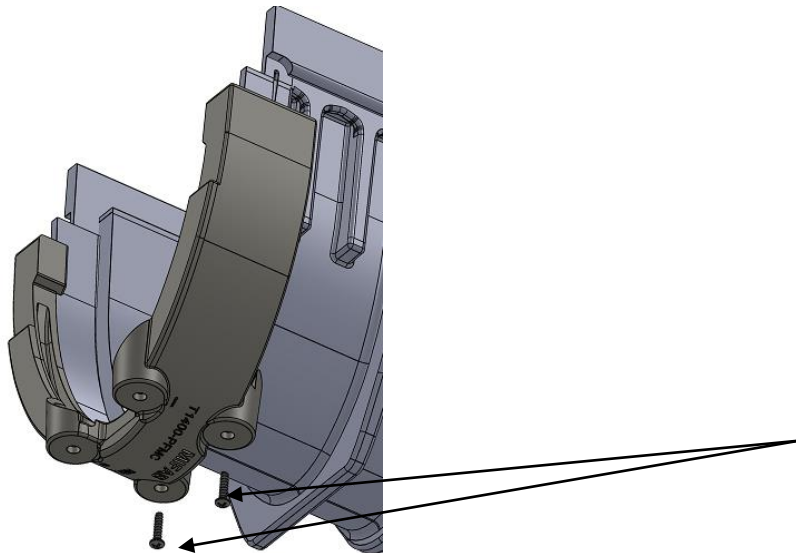
1. ALIGN CHANNEL FEMALE SIDE WITH COREPONDENT FEMALE SIDE CONNECTOR

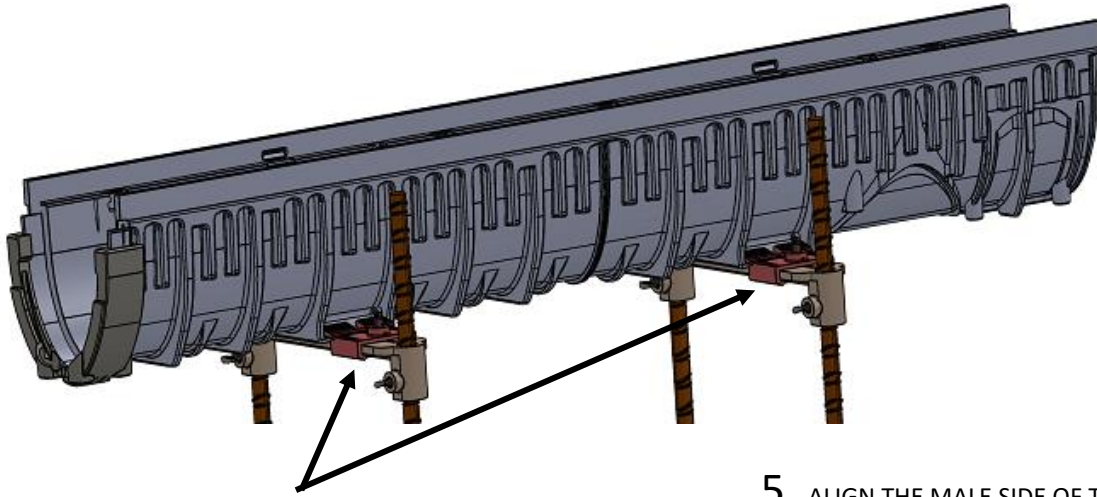


2. ALIGN THE FEMALE SIDE BOSSES WITH CORESPONDENT CONNECTOR SOCKETS

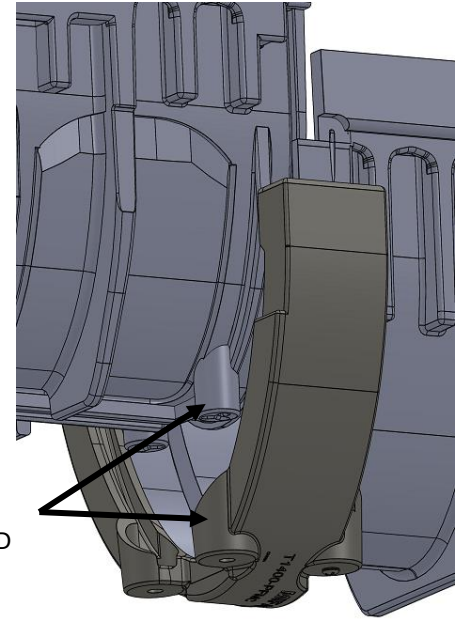


3. NEST THE CHANNEL FEMALE SIDE INTO CONNECTOR AND TIGHTEN USING THE TWO PROVIDED SCREWS

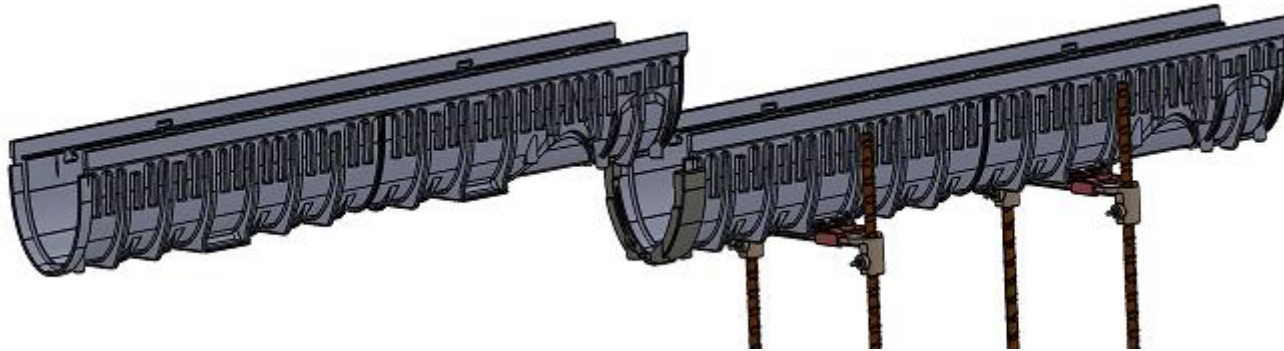




4. ATTACH THE REBAR SUPPORTS THEN AJUST AND SECURE THE CHANNEL TO RECOMMANDED LEVEL

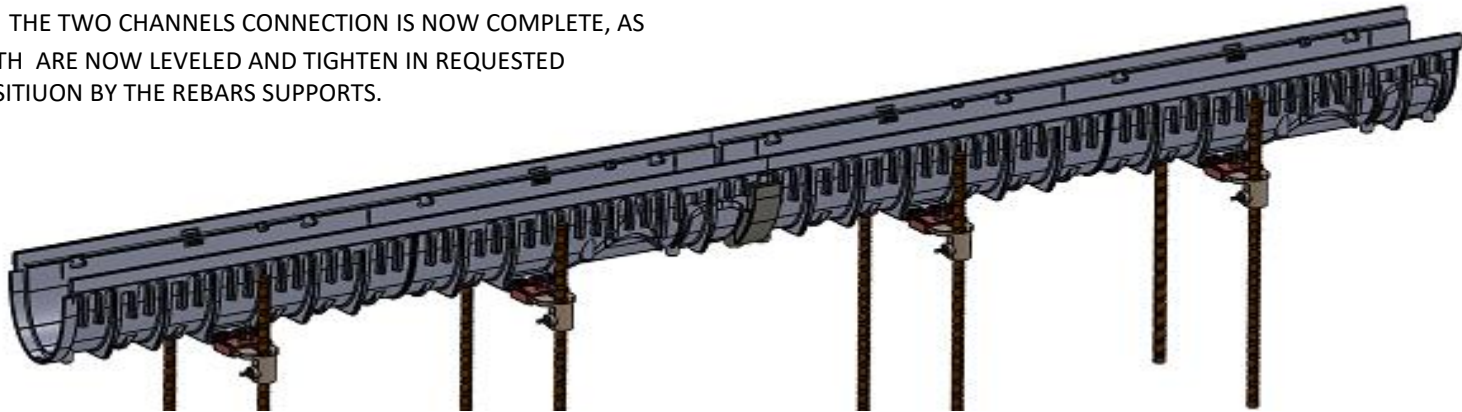


5. ALIGN THE MALE SIDE OF THE NEXT CHANNEL TO THE CONNECTOR; CHANNEL NARROW EDGE SHALL REST INTO DESIGNATED CONNECTOR GROOVE.



6. MAKE SURE TO ALIGN THE CHANNEL END BOSSES TO CONNECTOR CORESPONDEDNT SOCKETS AND PUSH THE FOLLOWING CHANNEL DOWNWARDS UNTIL COMPLETELY NESTED INTO THE CONNETOR GROOVE; TOPRAILS OF THE CHANNELS SHALL BE ALIGNED AND FLASH WITH EACHOTHER.

7. THE TWO CHANNELS CONNECTION IS NOW COMPLETE, AS BOTH ARE NOW LEVELED AND TIGHTEN IN REQUESTED POSITUON BY THE REBARS SUPPORTS.



8. OPTIONAL, IF SPACE UNDER CHANNEL PERMITS, TWO REMAINING SCREWS CAN BE ADDED TO TIGHT UP THE SECOND CHANNEL.

