

Location: _____

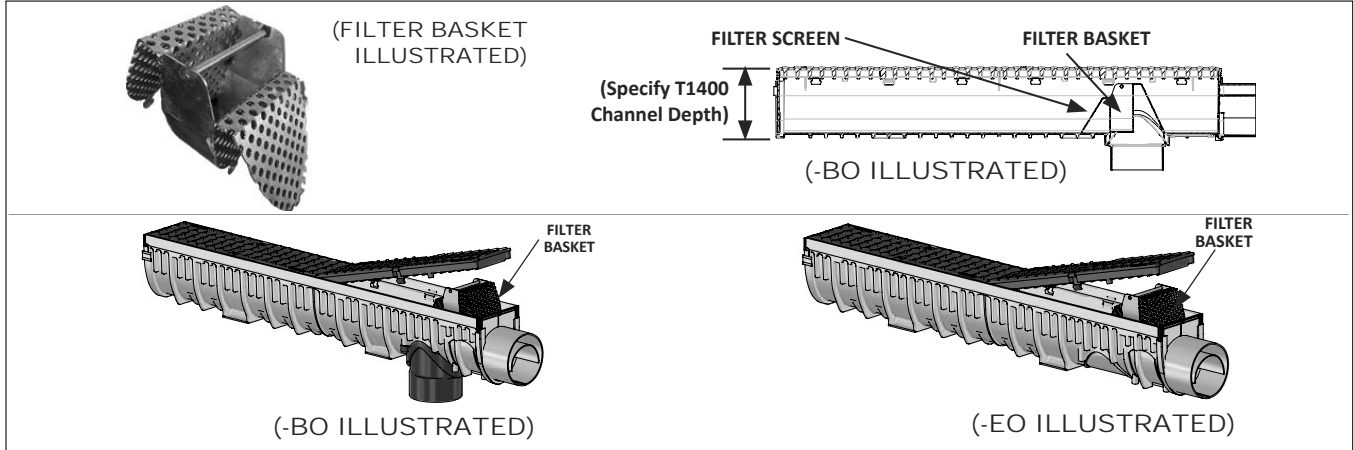


T1400-LT

4" Internal Width, GRP Lint Trough

Specification: MIFAB® T1400-LT, 4" internal width lint trough manufactured for Glass Fiber Reinforced Polyester (GRP) with GRP edge, (specify grates required), 2" or 3" no hub end outlets, 2" or 3" Schedule 40 PVC socket connection end outlet, and removable, corrosion resistant primary filter screen and secondary filter basket. Neutral sloped channels are ideal for above or below grade installation. Maximum working temperature (constant flow) of 212° Fahrenheit (100° C) and intermittent flow of 392° Fahrenheit (200° C). MIFAB's GRP channels are designed with a sealant groove in accordance with the EN1433 Standard, Section 7.5 - Connecting Channel Elements. This Standard requires all channels to have the joint between channels designed in such a way that it can be permanently sealed. Sealant manufacturers recommend a 3/8" bead, which the MIFAB GRP conforms to.

FUNCTION: Ideal to receive discharge from laundry machines. Filter screen and basket are designed to capture lint entering the trough. Trough lengths are available in half and full meter increments to match any length required. Installation devices are available for in ground installations. Load Class E ductile iron solid covers with removable ClipFix securing system provides a durable and easily accessible trough for cleaning. Trough material is made from GRP which has a 212°F temperature rating (constant) and a 392°F (intermittent up to 110 minutes.) – ideal to withstand the impact of hot water discharges.



MODEL NUMBER	DESCRIPTION
T1401-LT	Half Meter Long section
T1401.5-LT	One and a Half Meter Long section
T1402-LT	Two Meter Long section
T1402.5-LT	Two and a Half Meter Long section
T1403-LT	Three Meter Long section
T1403.5-LT	Three and Half Meter Long section
T1404-LT	Four Meter Long section
T1404.5-LT	Four and a Half Meter Long section
T1405-LT	Five Meter Long section
T1405.5-LT	Five and a Half Meter Long section
T1406-LT	Six Meter Long section

CALIFORNIA PROPOSITION 65 WARNING. This product contains chemicals known to the State of California to cause cancer and birth defects or other reproductive harm.

Job Name: _____

Page No: _____

Section No: _____

Contractor: _____

Schedule No: _____

Purchase Order No: _____