

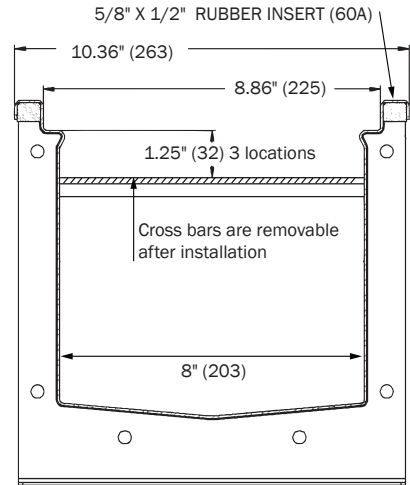
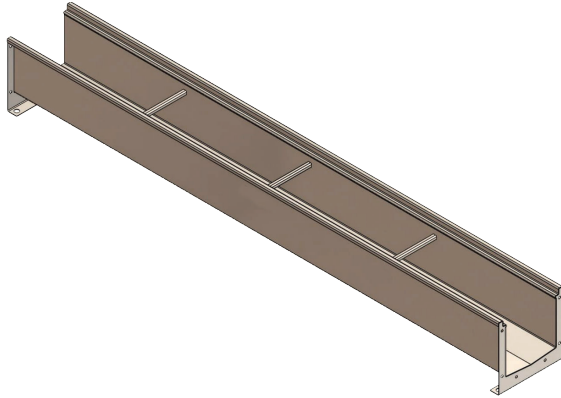
Location:



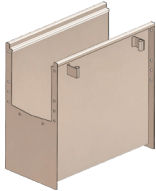
T1360 8" Internal Width, Presloped, Fabricated Steel Channels

Specification:

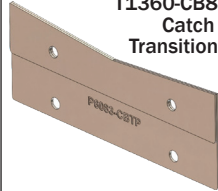
MIFAB® Series T1360, 8" internal width, 16 gauge fabricated, powder epoxy coated steel presloped trench drain (1% with optional grates (see page 29). Channels are available in one and two meter lengths, have flanged ends to connect to each other with a neoprene gasket. Bottom and end outlets are available in 4", 6" or 8" no hub outlet connections. Also available with optional anchor flange (Suffix -FL).



T1360-CB820
Catch Basin
Channels 1, 3
and 5 to connect
to Catch Basin.



T1360-CB820-TP
Catch Basin
Transition Plate



CHANNEL#	LENGTH	Shallow Invert	Deep Invert
T1361	78.74" (2m)	6"	6.78"
T1361N	78.74" (2m)	6.78"	6.78"
T1361N-BO4	78.74" (2m) (w/4" BO)	6.78"	6.78"
T1361N-BO6	78.74" (2m) (w/6" BO)	6.78"	6.78"
T1361N-BO8	78.74" (2m) (w/8" BO)	6.78"	6.78"
T1361-IM	39.37" (1m)	6.78"	6.78"
T1362	78.74" (2m)	6.78"	7.56"
T1363	78.74" (2m)	7.56"	8.34"
T1363N	78.74" (2m)	8.34"	8.34"
T1363N-BO4	78.74" (2m) (w/4" BO)	8.34"	8.34"
T1363N-BO6	78.74" (2m) (w/6" BO)	8.34"	8.34"
T1363N-BO8	78.74" (2m) (w/8" BO)	8.34"	8.34"
T1363N-IM	39.37" (1m)	8.34"	8.34"
T1364	78.74" (2m)	8.34"	9.12"
T1365	78.74" (2m)	9.12"	9.9"
T1365N	78.74" (2m)	9.9"	9.9"
T1365N-BO4	78.74" (2m) (w/4" BO)	9.9"	9.9"
T1365N-BO6	78.74" (2m) (w/6" BO)	9.9"	9.9"
T1365N-BO8	78.74" (2m) (w/8" BO)	9.9"	9.9"
T1365N-IM	39.37" (1m)	9.9"	9.9"

ACCESSORIES

-6	Vandal Proof grates (center lockdown)
-7MG	MI-GARD Trap Seal Protection device (3" or 4")
-20	Bottom outlet strainer
-45	45° Degree fabricated body (T1330-45)
-90	90° Degree fabricated body (T1330-90)
-TEE	Tee fabricated body
-C	Membrane Clamp (includes anchor flange)
-CB	Catch Basin (Part # P6060-CB620) (1/2 meter long, w/sediment bucket, transition plates and hardware kit)
-CF	Cross fabricated body
-EC	Closed End Cap (T1330-PEC)
-EO	3" or 4" No Hub End Outlet (T1330-PEO3, T1330-PEO4)
-FL	Anchor (waterproofing) flange
MI-FLEX-300	3" Flexible rubber coupling to connect 3" No Hub vertical and horizontal channel outlets to drainage pipe
MI-FLEX-400	4" Flexible rubber coupling to connect 4" No Hub vertical and horizontal channel outlets to drainage pipe
MI-FLEX-800	8" Flexible rubber coupling to connect 8" No Hub vertical and horizontal channel outlets to drainage pipe

Job Name: _____

Page No: _____

Section No: _____

Contractor: _____

Schedule No: _____

Purchase Order No: _____

Revision Date: 12/16/2021

CALIFORNIA PROPOSITION 65 WARNING. This product contains chemicals known to the State of California to cause cancer and birth defects or other reproductive harm.

MIFAB reserves the right to make changes in material and design without formal notice and obligation.

USA: 1-800-465-2736 www.mifab.com CAN: 1-800-387-3880