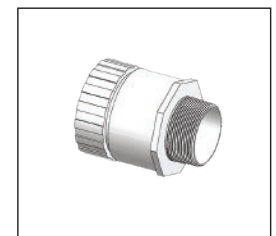
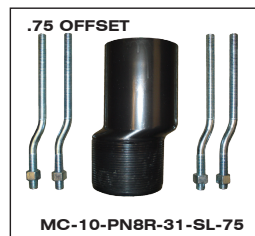
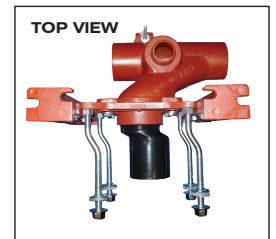
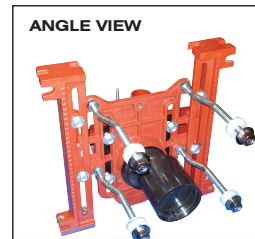
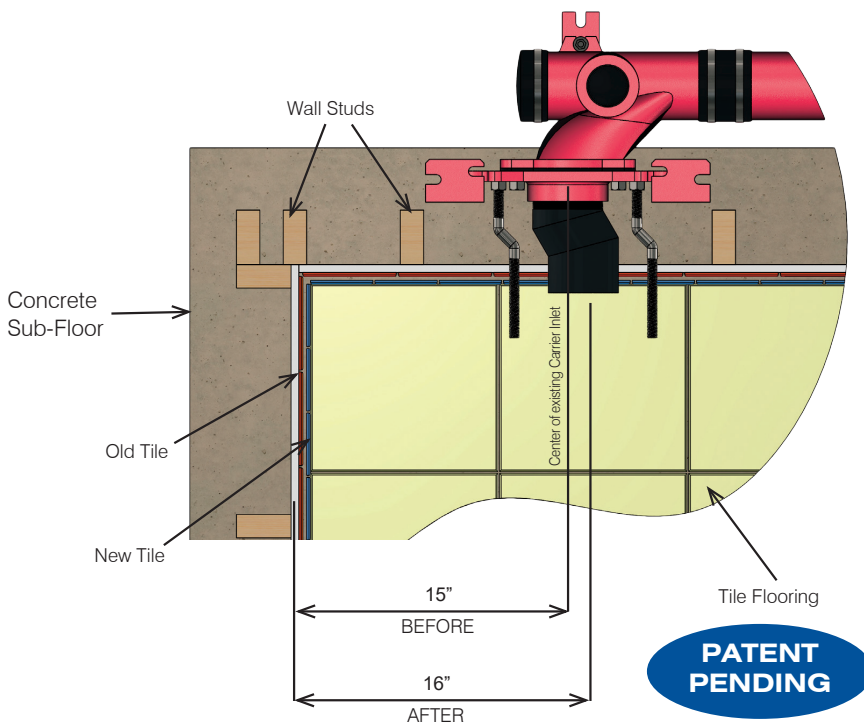


SHIFT and LIFT[®]

Universal Water Closet Carrier Offset Kit

You have told us how frustrating and expensive it is when the ADA water closet is less than 18" from the center to the finished wall.

You can now offset the fixture without having to tear out the carrier! The MC-10 Series is tested with the "Shift and Lift" offset hardware package to support a 500 lb. Load with the rear anchor support.



4" F.I.P x 3" M.I.P
PVC adapter
available (Part
#MC-10-43-ADAPT)
to thread into 3"
threaded faceplates

The SHIFT and LIFT is available in three different adjustments:

- 1) 1/2" (Part # MC-10-PN8R-31-SL-50)
- 2) 3/4" (Part # MC-10-PN8R-31-SL-75)
- 3) 1" (Part # MC-10-PN8R-31-SL-100)

Works with all manufacturer's (JaSaWaZ) carriers.

MIFAB[®]
1321 WEST 119TH STREET
CHICAGO, ILLINOIS
60643

MIFAB.COM

773.341.3030
TOLL FREE:
USA - 1.800.465.2736
CAN - 1.800.387.3880