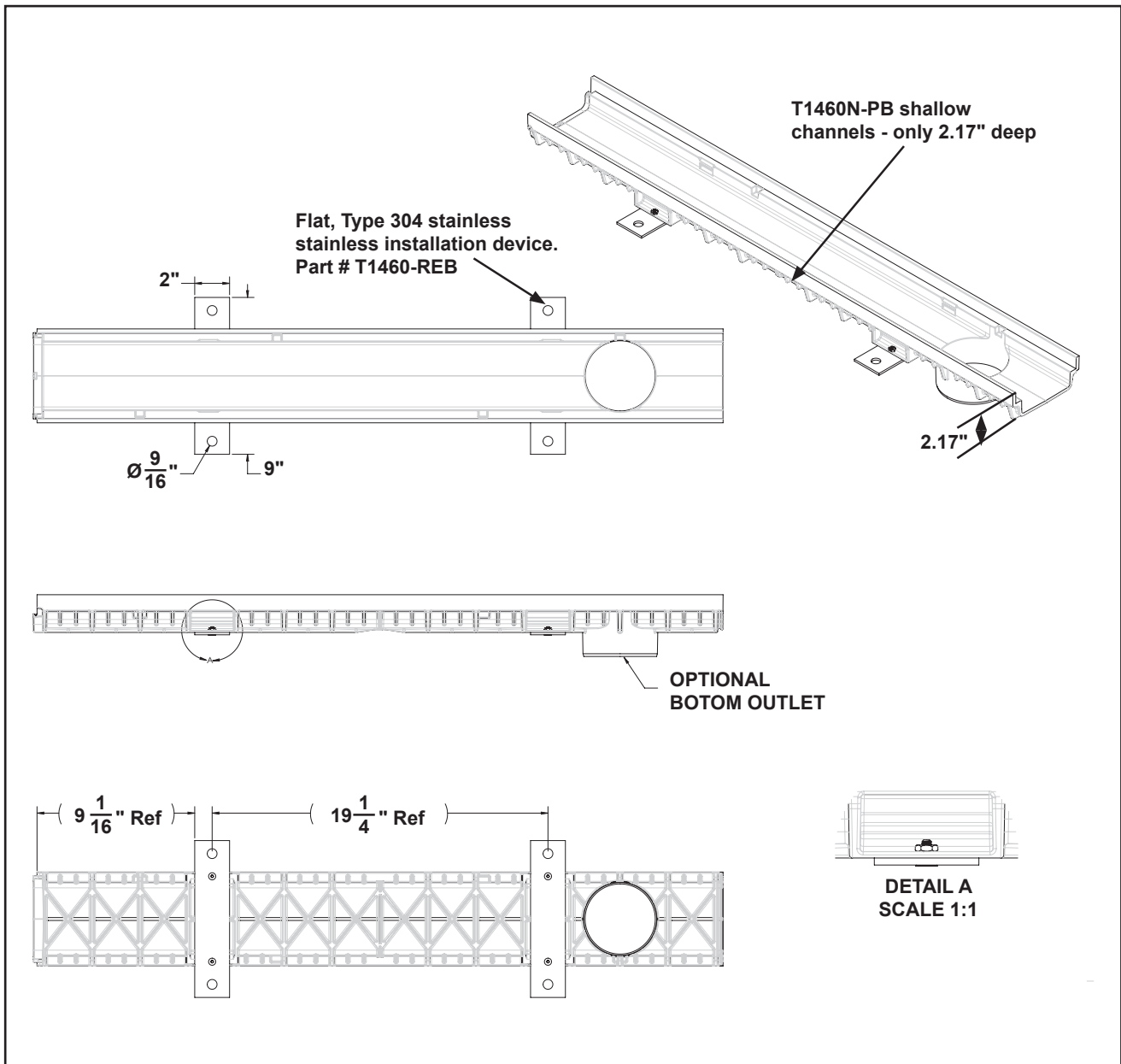


Installation Device for shallow T1460 channels



MIFAB's T1460 Series of shallow, GRP trench drain channels are ideal for installation onto concrete decks. Their overall depth of 2.17" provides a lot of flexibility during installation. The T1460-REB flat, Type 304 stainless steel installation devices are engineered to provide only 1/8" of an increase in overall height when installed on the underside of the T1460 channels. They are ideal to secure the T1460 channels into the concrete deck with anchors by others. This is to provide the minimum overall height as possible.