

Location: _____

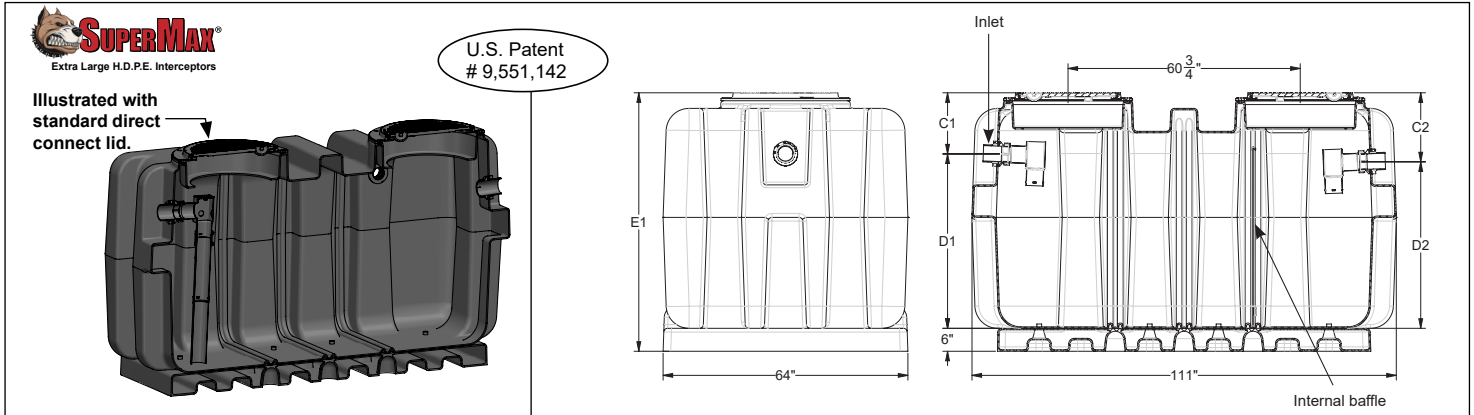


SUPER-N

**SUPERMAX® - ACID NEUTRALIZATION INTERCEPTORS
500 TO 2000 GALLONS LIQUID HOLDING CAPACITY**

Specification: MIFAB® Series SUPER-N HDPE rotational molded acid neutralization interceptor with holding capacity of (indicate). Unit shall include: 3/8" uniform wall thickness, adjustable lid system, sample port access, 4" no hub inlet and outlet connections, and deep seal inlet diffuser. Pickable ductile iron lids and collar with gasket provides a water / gas tight seal and has a minimum of 20,000 lbs. load capacity. The lids are designed in accordance with the loading requirements of AASHTO H20. The high density polyethylene material is PE 3135 from Dow 9.39 with a density of 0.939 g/cm3.

Function: Used in laboratories, industrial processes, chemical treatment plants, municipal water treatment facilities and/or other polluting sources to dilute and neutralize harmful wastes that may be discharged. Limestone chips (provided by others) are required to be placed inside of the acid neutralization tank to neutralize the acidic water. High Density Polyethylene construction ensures a lightweight installation process. Regular maintenance is required to keep the interceptor functioning. All SuperMax interceptors can withstand a temperature of up to and including 150° Fahrenheit.



Model	Flow Rate (GPM)	Liquid Holding Capacity (Gal./Cu.Ft.)	A	Width B	D Dim.	E Dim.	F Outlet Connection Size	Shipping Weight (Lbs.)
SUPER-500-N	250	539 / 72	111" (2820 mm)	64" (1630 mm)	26 1/4" (667 mm)	45" (1143 mm)	4" (102 mm)	1060
SUPER-750-N	250	772 / 103	111" (2820 mm)	64" (1630 mm)	34.88" (886 mm)	53.63" (1362 mm)	4" (102 mm)	1125
SUPER-1000-N	250	1015 / 135	111" (2820 mm)	64" (1630 mm)	45 1/4" (1149 mm)	64" (1630 mm)	4" (102 mm)	1185
SUPER-1250-N	250	1262 / 168	111" (2820 mm)	64" (1630 mm)	56 1/4" (1429 mm)	75" (1905 mm)	4" (102 mm)	1260
SUPER-1300-N	250	1312 / 175	111" (2820 mm)	64" (1630 mm)	56 1/4" (1429 mm)	75" (1905 mm)	4" (102 mm)	1260
SUPER-1500-N	250	1522 / 202	111" (2820 mm)	64" (1630 mm)	64" (1626 mm)	82.75" (2102 mm)	4" (102 mm)	1360
SUPER-2000-N	250	2022 / 269	111" (2820 mm)	64" (1630 mm)	85 1/2" (2172 mm)	104.25" (2648 mm)	4" (102 mm)	1460

SUFFIX	OPTIONAL VARIATIONS	PART NO.
-AK	Anchor kit for all SuperMax interceptors	SUPER-*-AK-SET (* = Specify Size)
-C	Lid Extension - up to 44" high - (2 pieces included)	SUPER-EXT-44
-C	Lid Extension - up to 72" high - (2 pieces included)	SUPER-EXT-72
-C	Lid Extension - up to 94" high - (2 pieces included)	SUPER-EXT-94
-DI	Ductile iron lid and collar - for all SuperMax interceptors (2 pcs. Included)	SM-MI-G-PL-LID-DI
-FL-C	Membrane clamp kit - for all SuperMax interceptors (2 pcs. Included)	SUPER-FLM (2 pcs. Included)
-F6	6" no hub inlet and outlet (2 pcs. Included) (flow rate of 700 GPM with 6" connections)	MI-G-PL-PF6
-F8	8" no hub inlet and outlet (2 pcs. Included) (flow rate of 1200 GPM with 8" connections) (not available for side inlets / outlets)	MI-G-PL-PF8
-LHSI	No hub inlet on left hand side (not available with sediment bucket) (for Lil Max, Big Max, SuperMax)	MI-G-PL-PF4
-LHSO	No hub outlet on left hand side (not available with sediment bucket) (for Lil Max, Big Max, SuperMax)	MI-G-PL-PF4
-POK	Remote pump out kit	XL-MI-PL-*-POK (* = Specify Size)
-RHSI	No hub inlet on right hand side (not available with sediment bucket) (for Lil Max, Big Max, SuperMax)	MI-G-PL-PF4
-RHSO	No hub outlet on right hand side (not available with sediment bucket) (for Lil Max, Big Max, SuperMax)	MI-G-PL-PF4
-RPO	4" Remote pump outlet connections on top of interceptor - specify location and number required	SUPER-MAX-RPO
-SP	External sampling port - inline, high connections	SUPER-SP
-SP-L	External sampling port - inline, low connections	SUPER-SP-L
-SP-OF	External sampling port - offset	SUPER-SP-OF
-T	Female threaded connections - 4" (2 pcs. Included)	MI-G-PL-PF4T
-V	No hub vent connection - 4" - (specify number required and location - side and / or top) (2", 3" available - Specify -V2, -V3 - same price)	MI-G-PL-PF4

CALIFORNIA PROPOSITION 65 WARNING. This product contains chemicals known to the State of California to cause cancer and birth defects or other reproductive harm.

Job Name: _____

Page No: _____

Section No: _____

Contractor: _____

Schedule No: _____

Purchase Order No: _____