

Location: _____

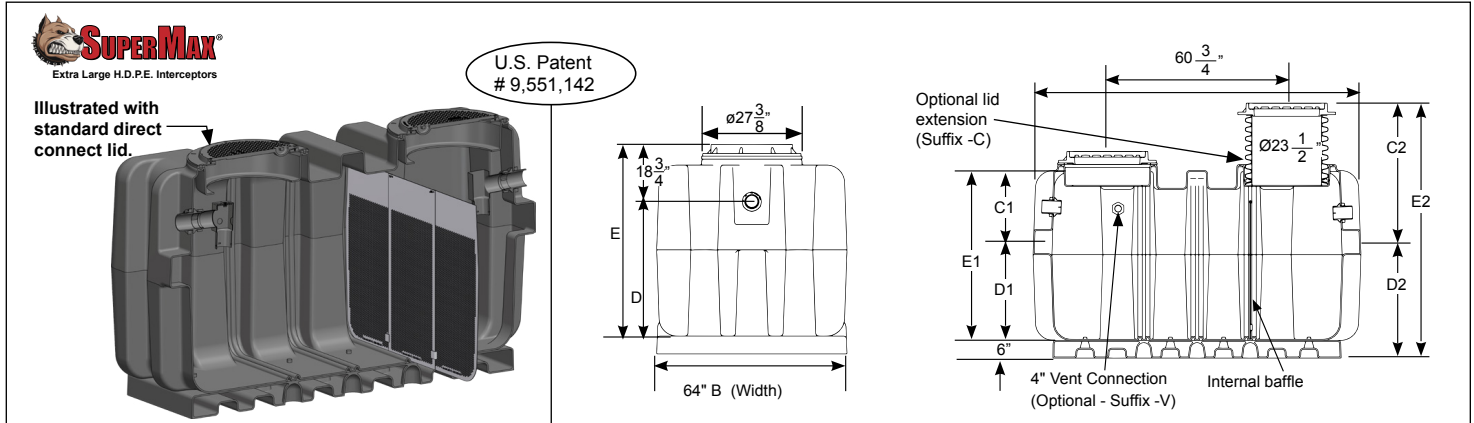


SUPER-FUR

SUPERMAX® – SUPERMAX– FUR INTERCEPTORS 500 TO 2000 GALLONS LIQUID HOLDING CAPACITY

Specification: MIFAB® SUPER-(specify size)-FUR gravity fur interceptor with liquid holding capacity of _____ (indicate), limited lifetime warranty and is made in the U.S.A. out of seamless, rotationally molded High Density Polyethylene with 3/8" uniform wall thickness. Interceptor is designed for above or below ground installation (the 2000 gallon model can only be installed below ground) and includes extension pipe gasket for ADS 24N12 (pipe not included) for the adjustable lid system. Unit shall include: dual strainer baffles with 3/8" Dia. holes, 1/2" apart, deep seal trap covered by lid, adjustable lid system, sample port access, internal flow control, and 4" no hub inlet and outlet connections. Pickable ductile iron lids provide a water / gas tight seal and have a minimum of 20,000 LB. load capacity - in accordance with the loading requirements of AASHTO H20. The high density polyethylene material is PE 3135 from Dow 9.39 with a density of 0.939 g/cm3.

Function: Used in pet facilities that discharge a lot of hair into the waste water. The fur interceptor will filter out fur from the fixture waste line before entering the pipe system to reduce clogging and improve performance. Typically installed either on or into the floor. Regular maintenance is required to keep the interceptor functioning. All SuperMax interceptors can withstand a maximum operating temperature: 150° F continuous.



Model	Flow Rate (GPM)	Liquid Holding Capacity (Gal./Cu.Ft.)	Solids Capacity (Gal./Cu.Ft.)	A	Width B	D Dim.	E Dim.	F Outlet Connection Size	Shipping Weight (Lbs.)
SUPER-500-FUR	250	539 / 72	270 / 36	111" (2820 mm)	64" (1630 mm)	26 1/4" (667 mm)	45" (1143 mm)	4" (102 mm)	1060
SUPER-750-FUR	250	772 / 103	386 / 52	111" (2820 mm)	64" (1630 mm)	34.88" (886 mm)	53.63" (1362 mm)	4" (102 mm)	1125
SUPER-1000-FUR	250	1015 / 135	508 / 68	111" (2820 mm)	64" (1630 mm)	45 1/4" (1149 mm)	64" (1630 mm)	4" (102 mm)	1185
SUPER-1250-FUR	250	1262 / 168	631 / 85	111" (2820 mm)	64" (1630 mm)	56 1/4" (1429 mm)	75" (1905 mm)	4" (102 mm)	1260
SUPER-1300-FUR	250	1312 / 175	656 / 88	111" (2820 mm)	64" (1630 mm)	56 1/4" (1429 mm)	75" (1905 mm)	4" (102 mm)	1260
SUPER-1500-FUR	250	1522 / 202	761 / 102	111" (2820 mm)	64" (1630 mm)	64" (1626 mm)	82.75" (2102 mm)	4" (102 mm)	1360
SUPER-2000-FUR	250	2022 / 269	1011 / 135	111" (2820 mm)	64" (1630 mm)	85 1/2" (2172 mm)	104.25" (2648 mm)	4" (102 mm)	1460

SUFFIX	OPTIONAL VARIATIONS	PART NO.
-AK	Anchor kit for all SuperMax interceptors	SUPER-^AK-SET (* = Specify Size)
-C	Lid Extension - up to 44" high - (2 pieces included)	SUPER-EXT-44
-C	Lid Extension - up to 72" high - (2 pieces included)	SUPER-EXT-72
-C	Lid Extension - up to 94" high - (2 pieces included)	SUPER-EXT-94
-DI	Ductile iron lid and collar - for all SuperMax interceptors (2 pcs. Included)	SM-MI-G-PL-LID-DI
-FL-C	Membrane clamp kit - for all SuperMax interceptors (2 pcs. Included)	SUPER-FLM (2 pcs. Included)
-F6	6" no hub inlet and outlet (2 pcs. Included) (flow rate of 700 GPM with 6" connections)	MI-G-PL-PF6
-F8	8" no hub inlet and outlet (2 pcs. Included) (flow rate of 1200 GPM with 8" connections) (not available for side inlets / outlets)	MI-G-PL-PF8
-LHSI	No hub inlet on left hand side (not available with sediment bucket) (for Lil Max, Big Max, SuperMax)	MI-G-PL-PF4
-LHSO	No hub outlet on left hand side (not available with sediment bucket) (for Lil Max, Big Max, SuperMax)	MI-G-PL-PF4
-POK	Remote pump out kit	XL-MI-PL-^POK (* = Specify Size)
-RHSI	No hub inlet on right hand side (not available with sediment bucket) (for Lil Max, Big Max, SuperMax)	MI-G-PL-PF4
-RHSO	No hub outlet on right hand side (not available with sediment bucket) (for Lil Max, Big Max, SuperMax)	MI-G-PL-PF4
-RPO	4" Remote pump outlet connections on top of interceptor - specify location and number required	SUPER-MAX-RPO
-SP	External sampling port - inline, high connections	SUPER-SP
-SP-L	External sampling port - inline, low connections	SUPER-SP-L
-SP-OF	External sampling port - offset	SUPER-SP-OF
-T	Female threaded connections - 4" (2 pcs. Included)	MI-G-PL-PF4T
-V	No hub vent connection - 4" - (specify number required and location - side and / or top) (2", 3" available - Specify -V2, -V3 - same price)	MI-G-PL-PF4

CALIFORNIA PROPOSITION 65 WARNING. This product contains chemicals known to the State of California to cause cancer and birth defects or other reproductive harm.

Job Name: _____

Page No: _____

Section No: _____

Contractor: _____

Schedule No: _____

Purchase Order No: _____