

Location: _____

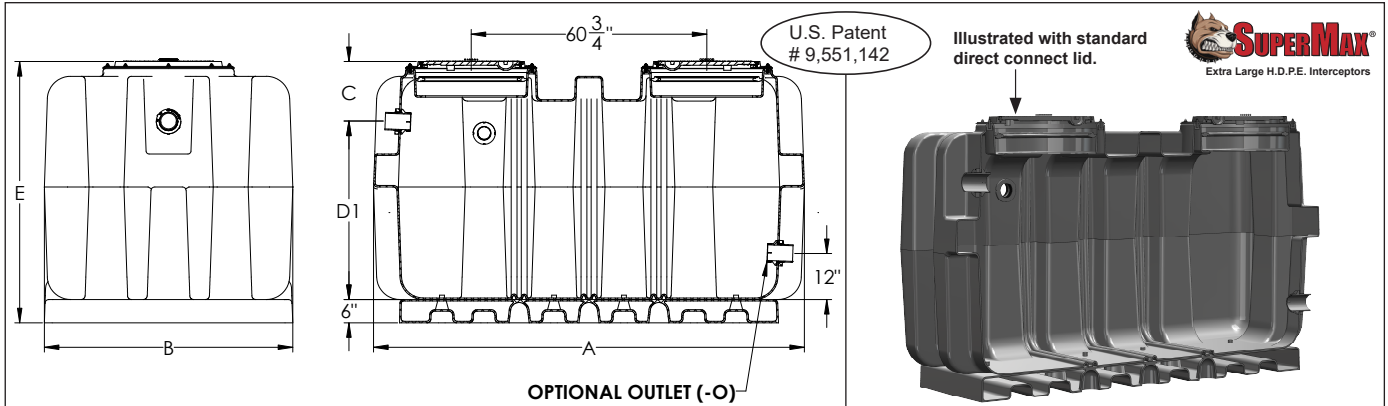


SUPER-DECON

SUPERMAX® DECONTAMINATION TANKS – 500 TO 2000 GALLONS LIQUID HOLDING CAPACITY

Specification: MIFAB® SUPER-_____ (specify size) - DECON decontamination tank with _____ (specify liquid holding capacity) U.S. gallons of liquid holding capacity has a limited lifetime warranty and is made in the U.S.A. out of seamless, rotationally molded High Density Polyethylene with 3/8" uniform wall thickness. Decontamination tank is designed for above or below ground installation (the 2000 gallon model can only be installed below ground) and includes a direct connect lid system, 3" threaded vent connection, base for support and floor level installation and 4" no hub inlet connection. Pickable ductile iron lids provide a water / gas tight seal and have a minimum of 20,000 LB. load capacity – in accordance with the loading requirements of AASHTO H20. The high density polyethylene material is PE 3135 from Dow 9.39 with a density of 0.939 g/cm3.

Function: Used with eyewashes and decontamination showers to capture the liquid wastes that can damage the building's drain, waste and vent system. Public sewer or ground / surface waters are required by Chapter 8 of the Uniform Plumbing Code (U.P.C.) and by the International Plumbing Code (I.P.C.) to be pretreated. This is also required by the AIA and ANSI. Maximum operating temperature: 150° F continuous.



Model	Liquid Holding Capacity (Gallons)	A LENGTH	B WIDTH	D Dim.	E Dim	F INLET CONNECTION SIZE	Shipping Weights (Lbs.)
SUPER-500-DECON	500 (1,890 litres)	111" (2820 mm)	64" (1630 mm)	26 1/4" (667 mm)	45" (1143 mm)	4" (102 mm)	1060
SUPER-750-DECON	750 (2,840 litres)	111" (2820 mm)	64" (1630 mm)	34.88" (886 mm)	53.63" (1362 mm)	4" (102 mm)	1125
SUPER-1000-DECON	1,000 (3,790 litres)	111" (2820 mm)	64" (1630 mm)	45 1/4" (1149 mm)	64" (1630 mm)	4" (102 mm)	1185
SUPER-1300-DECON	1,300 (4,921 litres)	111" (2820 mm)	64" (1630 mm)	56 1/4" 1429 mm)	75" (1905 mm)	4" (102 mm)	1260
SUPER-1500-DECON	1,500 (5,688 litres)	111" (2820 mm)	64" (1630 mm)	64" (1626 mm)	82.75" (2102 mm)	4" (102 mm)	1360
SUPER-2000-DECON	2,000 (7,570 litres)	111" (2820 mm)	64" (1630 mm)	85 1/2" (2172 mm)	104.25" 2648mm	4" (102 mm)	1460

SUFFIX	OPTIONAL VARIATIONS	PART NO.
-AK	Anchor kit for all SuperMax interceptors	SUPER-*-AK-SET (* = Specify Size)
-C	Lid Extension - up to 44" high - (2 pieces included)	SUPER-EXT-44
-C	Lid Extension - up to 72" high - (2 pieces included)	SUPER-EXT-72
-C	Lid Extension - up to 94" high - (2 pieces included)	SUPER-EXT-94
-FL-C	Membrane clamp kit - for all SuperMax interceptors (2 pcs. Included)	SUPER-FLM (2 pcs. Included)
-F6	6" no hub inlet and outlet (flow rate of 700 GPM with 6" connections)	MI-G-PL-PF6 (2 pcs. required)
-F8	8" no hub inlet and outlet (flow rate of 1200 GPM with 8" connections) (not available for side inlets / outlets)	MI-G-PL-PF8 (2 pcs. required)
-HLA	High level alarm and float switch (to be installed on site) (for Lil Max, Big Max, SuperMax)	XL-MI-PL-HLA
-HLA2	Dual Float Switch High Level Alarm for Grease and Oil (to be installed on site) (for Lil Max, Big Max, Super Max)	XL-MI-PL-HLA2
-LHSI	No hub inlet on left hand side (not available with sediment bucket) (for Lil Max, Big Max, SuperMax)	MI-G-PL-PF4
-LHSO	No hub outlet on left hand side (not available with sediment bucket) (for Lil Max, Big Max, SuperMax)	MI-G-PL-PF4
-O	Optional 4" no hub outlet connection	Contact MIFAB®
-POK	Remote pump out kit (specify location and number required)	SUPER-MAX-POK
-RHSI	No hub inlet on right hand side (not available with sediment bucket) (for Lil Max, Big Max, SuperMax)	MI-G-PL-PF4
-RHSO	No hub outlet on right hand side (not available with sediment bucket) (for Lil Max, Big Max, SuperMax)	MI-G-PL-PF4
-RPO	4" Remote pump outlet connections on top of interceptor - specify location and number required	SUPER-MAX-RPO
-SP	External sampling port - inline, high connections	SUPER-SP
-SP-OFF	External sampling port - offset	SUPER-SP-OFF
-T	Female threaded connections - 4" (2 pcs. Included)	MI-G-PL-PF4T

CALIFORNIA PROPOSITION 65 WARNING. This product contains chemicals known to the State of California to cause cancer and birth defects or other reproductive harm.

Job Name: _____

Page No: _____

Section No: _____

Contractor: _____

Schedule No: _____

Purchase Order No: _____