

Location: \_\_\_\_\_

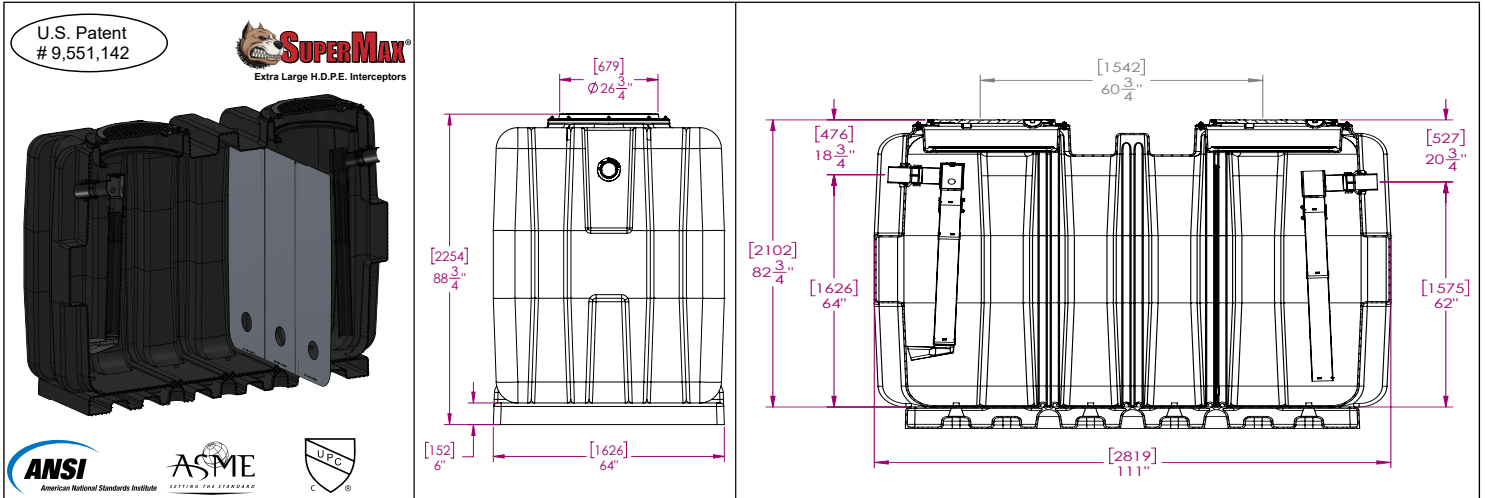


**SUPER-1500-ASME**

**SUPERMAX® HYDROMECHANICAL GREASE INTERCEPTOR- 1500 GALLONS LIQUID HOLDING CAPACITY**

**Specification:** MIFAB® SUPER-1500-ASME hydromechanical grease interceptor with 1500 U.S. gallons of liquid holding capacity has a limited lifetime warranty and is made in the U.S.A. out of seamless, rotationally molded High Density Polyethylene with 3/8" uniform wall thickness. Interceptor is designed for above or below ground installation and includes extension pipe gasket for ADS 24N12 (pipe not included) for the adjustable lid system, sample port access, internal baffle, deep seal trap covered by lid, internal air relief by-pass, stainless steel calibrated orifice plate (internal flow control), base for support and floor level installation and 4" no hub inlet and outlet connections. . Steel encased composite lid H-20 rated, proof-load tested to 40,000 lbs provides a water / gas tight seal. The lid is designed in accordance with the loading requirements of AASHTO H20. The high density polyethylene material is PE 3135 from Dow 9.39 with a density of 0.939 g/cm3. Note that the interceptor is tested and certified to the ASME A112.14.3, CSA B481 and listed with I.A.P.M.O. For indoor/outdoor use.

**Function:** Used in restaurants, kitchens, institutions, industrial facilities such as food processing and packaging plants and other types of food processing areas where fat, oil and grease (FOG) drains with the waste water. All SuperMax gravity interceptors can withstand a temperature of up to and including 150 degrees Fahrenheit.



Model	Liquid Holding Capacity (Gallons/Cu. Ft.)	Grease Retention Capacity	Sediment Capacity (Gallons)	Flow Rate (GPM)	Connection Size	Shipping Weight (Lbs.)
<b>SUPER-1500-ASME</b>	1,522 / 202	9,862 lbs.	152	100	4" / 102mm	1,250

SUFFIX	OPTIONAL VARIATIONS	PART NO.
-AK	Anchor kit (set of two) for all SuperMax interceptors	SUPER-*-AK-SET (* = Specify Size)
-C	Lid Extension - up to 72" high - for all SuperMax interceptors (Two pieces required)	SUPER-EXT-72
-DI	Ductile iron lid and collar - for all SuperMax interceptors (Two pieces required)	SM-MI-G-PL-LID-DI
-DP	Dosing Pump for Lil Max, Big Max, SuperMax	XL-MI-PL-DP
-EP	Enzyme port for Lil Max, Big Max, SuperMax	XL-MI-PL-EP
-FL-C	Membrane clamp kit - for all SuperMax interceptors (Two pieces required)	SUPER-FLM (2 pcs. Req.)
-F6	6" no hub inlet and outlet - for each piece (Two pieces required) (flow rate of 700 GPM with 6" connections)	MI-G-PL-PF6
-F8	8" no hub inlet and outlet - for each piece (Two pieces required) (flow rate of 1200 GPM with 8" connections) (Not available for side inlets / outlets)	MI-G-PL-PF8
-HLA	High level alarm and float switch (to be installed on site) (for Lil Max, Big Max, SuperMax)	XL-MI-PL-HLA
-LHSI	No hub inlet on left hand side (not available with sediment bucket) (for Lil Max, Big Max, SuperMax)	MI-G-PL-PF4
-LHSO	No hub outlet on left hand side (not available with sediment bucket) (for Lil Max, Big Max, SuperMax)	MI-G-PL-PF4
-POK	Remote pump out kit (also includes Remote Pump Out (-RPO))	Contact MIFAB
-RHSI	No hub inlet on right hand side (not available with sediment bucket) (for Lil Max, Big Max, SuperMax)	MI-G-PL-PF4
-RHSO	No hub outlet on right hand side (not available with sediment bucket) (for Lil Max, Big Max, SuperMax)	MI-G-PL-PF4
-RPO	3" Remote pump outlet connections on top of interceptor - specify location and number required	Contact MIFAB
-SB	Sediment bucket - for all SuperMax interceptors	SUPER-*-PSB (* = Specify Size)
-SP	External sampling port - inline, high connections	BIG-SP
-SP-L	External sampling port - inline, low connections	BIG-SP-L
-SP-OFF	External sampling port - offset	BIG-SP-OFF
-SST	Fire resistant fabricated stainless steel interceptor	Contact MIFAB
-ST	Fire resistant fabricated 10 gauge powder epoxy coated steel interceptor	Contact MIFAB
-T	Female threaded connections - 4" (for each piece - Two pieces required)	MI-G-PL-PF4T
-V	No Hub Vent connection - 4" - (specify number required & location - side and/or top)(2" & 3" vent connections also available, specify -V2 or -V3)	MI-G-PL-PF4

CALIFORNIA PROPOSITION 65 WARNING. This product contains chemicals known to the State of California to cause cancer and birth defects or other reproductive harm.

Job Name: \_\_\_\_\_  
 Section No: \_\_\_\_\_  
 Schedule No: \_\_\_\_\_

Page No: \_\_\_\_\_  
 Contractor: \_\_\_\_\_  
 Purchase Order No: \_\_\_\_\_