

Location: _____



STR

BRONZE STRAINERS-LL

Specification: The "Y" type strainer shall be a bronze body strainer with a bronze cap and a stainless steel mess screen. The valve shall be designed so the screen can be cleaned without removal of the valve from the pipe line and shall be equipped with a enclosure plug in the brass clean out cap for the addition of a test gauge or secondary water line.

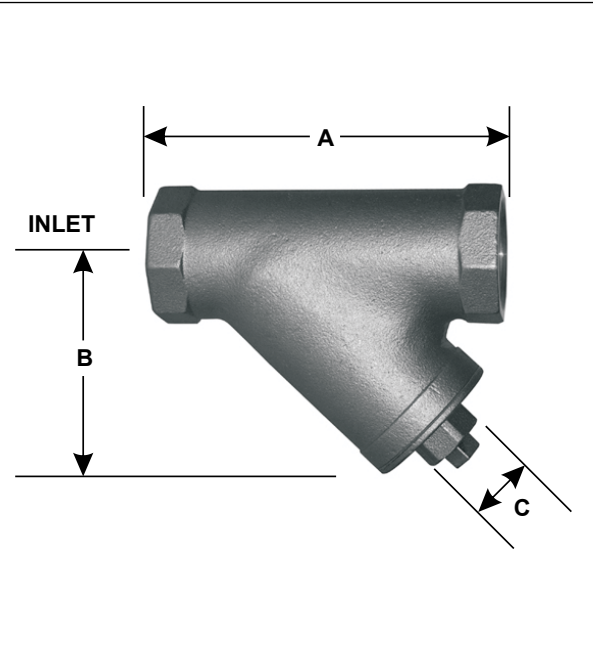
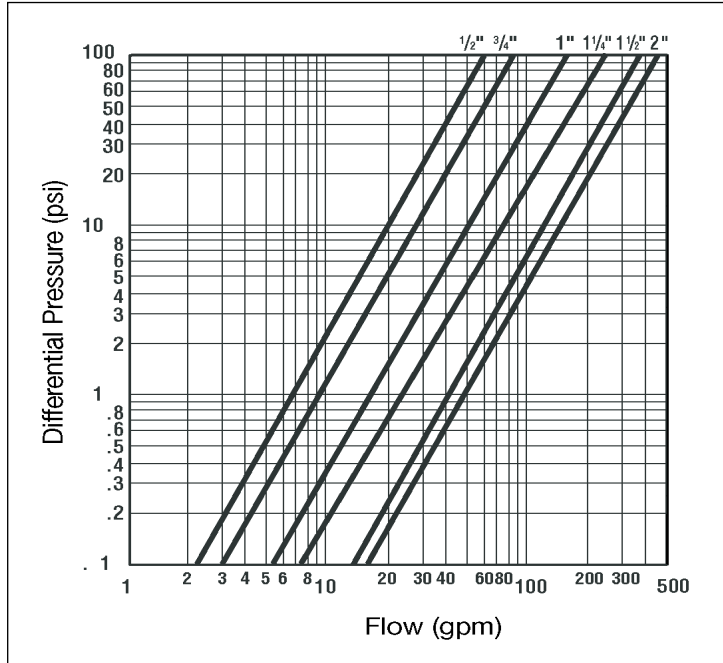
Ratings: Maximum Working Pressure: 400 P.S.I. (27.6 bar) WOG @ 210° F (99° C)

Materials:

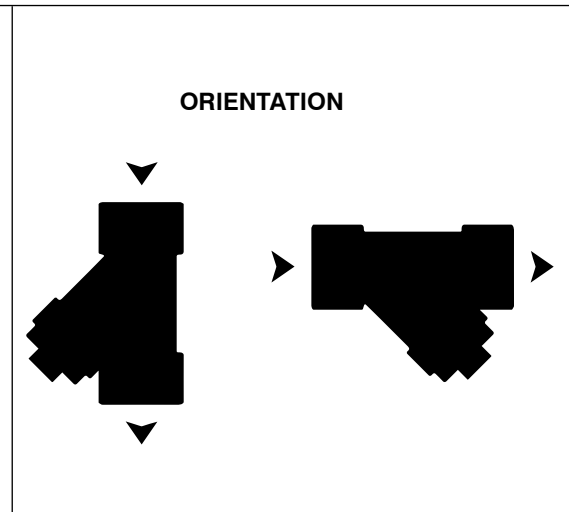
- Bronze Body: Standard C87850
- Retainer Cap: Bronze
- Cap Gasket: NBR
- Standard Screen: 304 Stainless Steel 20 Mesh

LEAD FREE

The wetted surface of this product contacted by consumable water contains less than 0.25% of lead by weight.



MODEL NO.	SIZE	A	B	C
STR.50-SWT-BRZ-LL	1/2" (13)	2 3/4" (70)	1 1/4" (35)	1/4" (6)
STR.75-SWT-BRZ-LL	3/4" (19)	3 3/8" (86)	1 1/2" (43)	1/4" (6)
STR1.00-SWT-BRZ-LL	1" (25)	3 3/4" (95)	2 1/4" (54)	1/2" (13)
STR1.25-SWT-BRZ-LL	1 1/4" (32)	4 1/2" (115)	2 1/2" (65)	1/2" (13)
STR1.50-SWT-BRZ-LL	1 1/2" (40)	5 1/4" (135)	3" (76)	3/4" (19)
STR2.00-SWT-BRZ-LL	2" (51)	6 3/16" (157)	3 1/2" (90)	1" (25)
STR.50-IPS-BRZ-LL	1/2" (13)	2 3/4" (70)	1 1/4" (35)	1/4" (6)
STR.75-IPS-BRZ-LL	3/4" (19)	3 1/4" (80)	1 1/2" (43)	1/4" (6)
STR1.00-IPS-BRZ-LL	1" (25)	3 3/4" (95)	2 1/4" (54)	1/2" (13)
STR1.25-IPS-BRZ-LL	1 1/4" (32)	4 1/2" (115)	2 1/2" (65)	1/2" (13)
STR1.50-IPS-BRZ-LL	1 1/2" (40)	5" (127)	3" (76)	3/4" (19)
STR2.00-IPS-BRZ-LL	2" (51)	6" (152)	3 1/2" (90)	1" (25)



CALIFORNIA PROPOSITION 65 WARNING: This product contains chemicals known to the State of California to cause cancer and birth defects or other reproductive harm.

Job Name: _____ Page No: _____
 Section No: _____ Contractor: _____
 Schedule No: _____ Purchase Order No: _____