

Location: \_\_\_\_\_



**STR**

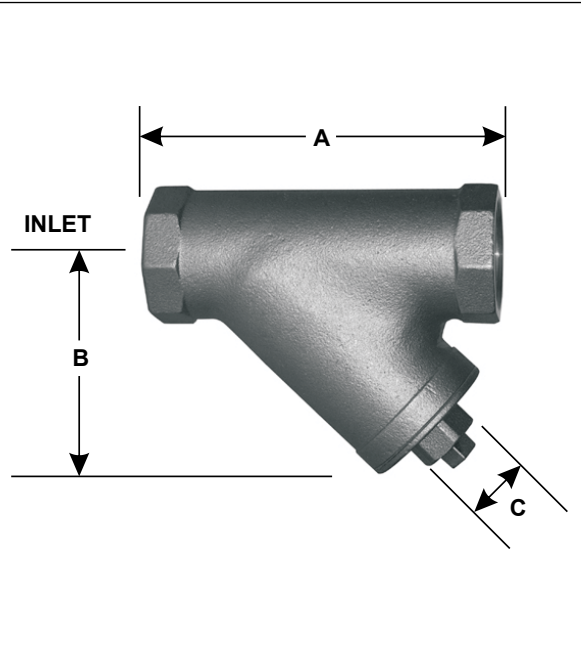
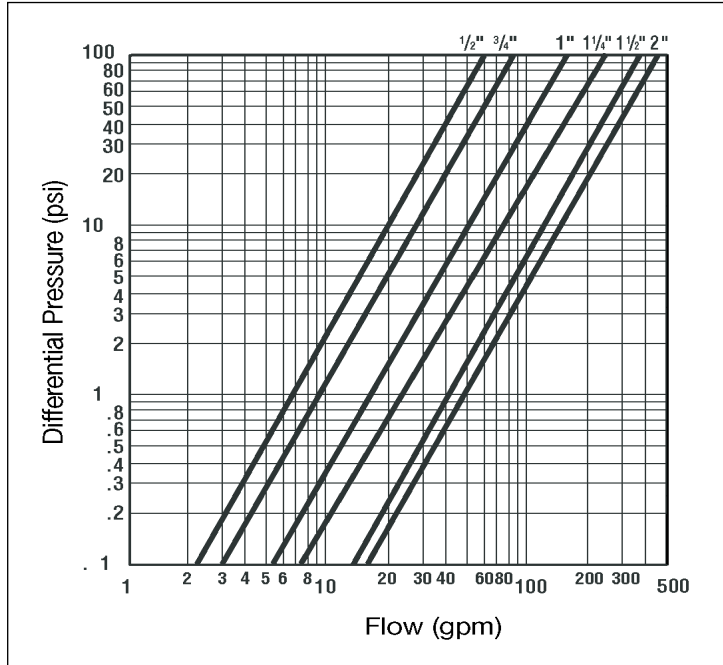
**BRONZE STRAINERS-LL**

**Specification:** The "Y" type strainer shall be a bronze body strainer with a bronze cap and a stainless steel mess screen. The valve shall be designed so the screen can be cleaned without removal of the valve from the pipe line and shall be equipped with an enclosure plug in the brass clean out cap for the addition of a test gauge or secondary water line.

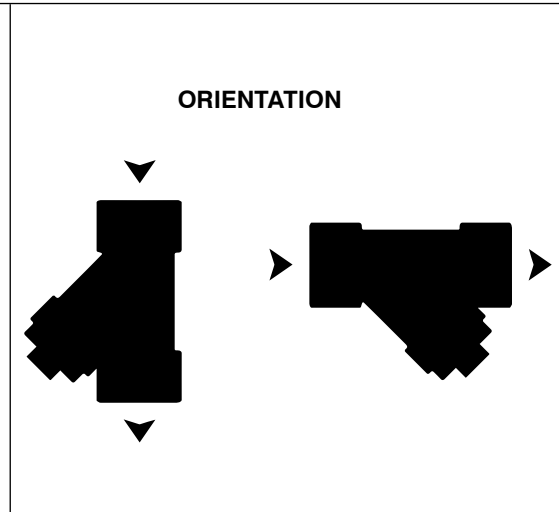
**Ratings:** Maximum Working Pressure: 400 P.S.I. (27.6 bar) WOG @ 210° F (99° C)

**Materials:**

- Bronze Body: Standard C87850
- Retainer Cap: Bronze
- Cap Gasket: NBR
- Standard Screen: 304 Stainless Steel 20 Mesh



MODEL NO.	SIZE	A	B	C
STR.50-SWT-BRZ-LL	1/2" (13)	2 3/4" (70)	1 1/4" (35)	1/4" (6)
STR.75-SWT-BRZ-LL	3/4" (19)	3 3/8" (86)	1 1/2" (43)	1/4" (6)
STR1.00-SWT-BRZ-LL	1" (25)	3 3/4" (95)	2 1/4" (54)	1/2" (13)
STR1.25-SWT-BRZ-LL	1 1/4" (32)	4 1/2" (115)	2 1/2" (65)	1/2" (13)
STR1.50-SWT-BRZ-LL	1 1/2" (40)	5 1/4" (135)	3" (76)	3/4" (19)
STR2.00-SWT-BRZ-LL	2" (51)	6 3/16" (157)	3 1/2" (90)	1" (25)
STR.50-IPS-BRZ-LL	1/2" (13)	2 3/4" (70)	1 1/4" (35)	1/4" (6)
STR.75-IPS-BRZ-LL	3/4" (19)	3 1/4" (80)	1 1/2" (43)	1/4" (6)
STR1.00-IPS-BRZ-LL	1" (25)	3 3/4" (95)	2 1/4" (54)	1/2" (13)
STR1.25-IPS-BRZ-LL	1 1/4" (32)	4 1/2" (115)	2 1/2" (65)	1/2" (13)
STR1.50-IPS-BRZ-LL	1 1/2" (40)	5" (127)	3" (76)	3/4" (19)
STR2.00-IPS-BRZ-LL	2" (51)	6" (152)	3 1/2" (90)	1" (25)



CALIFORNIA PROPOSITION 65 WARNING: This product contains chemicals known to the State of California to cause cancer and birth defects or other reproductive harm.

Job Name: \_\_\_\_\_ Page No: \_\_\_\_\_  
 Section No: \_\_\_\_\_ Contractor: \_\_\_\_\_  
 Schedule No: \_\_\_\_\_ Purchase Order No: \_\_\_\_\_