

Location: \_\_\_\_\_

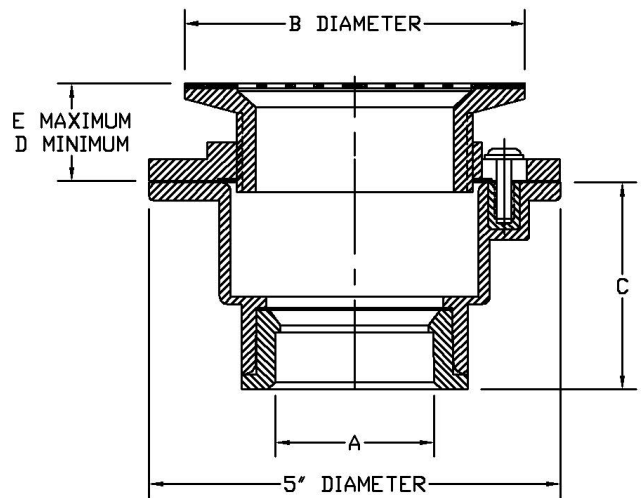


**SD7000**

**SHOWER DRAIN**

**Specification:** MIFAB® Series SD7000 Shower Drain with ABS, or lacquered cast iron body, membrane clamp, adjustable strainer with stainless steel grate

**Function:** Recommended for molded shower stalls where the drain body is placed on the pipe before the shower unit is installed.



MODEL NUMBER	PRODUCT DESCRIPTION	A IN	B IN	C IN	D IN	E IN	WEIGHT LBS.
SD7001	1 1/2" (38) ABS w/S.S. Grate	1 7/8" (48)	4" (102) Dia.	2 1/2" (64)	3/4" (19)	1 1/2" (38)	.75 lbs.
SD7002	2" (50) ABS w/S.S. Grate	2 3/8" (60) IPS	4" (102) Dia.	2 1/2" (64)	3/4" (19)	1 1/2" (38)	.75 lbs.
SD7101	1 1/2" (38) C.I. w/S.S. Grate	1 1/2" (38) IPS	4" (102) Dia.	2 1/2" (64)	3/4" (19)	1 1/2" (38)	1.75 lbs.
SD7102	2" (50) C.I. w/S.S. Grate	2" (51) IPS	4" (102) Dia.	2 1/2" (64)	3/4" (19)	1 1/2" (38)	1.75 lbs.

**SUFFIX OPTIONAL VARIATIONS**

-6 Vandal proof

Job Name: \_\_\_\_\_ Page No: \_\_\_\_\_  
 Section No: \_\_\_\_\_ Contractor: \_\_\_\_\_  
 Schedule No: \_\_\_\_\_ Purchase Order No: \_\_\_\_\_