

Location: _____



SCV

**GLOBE STYLE CLASS 125 FIG
SILENT CHECK VALVE**

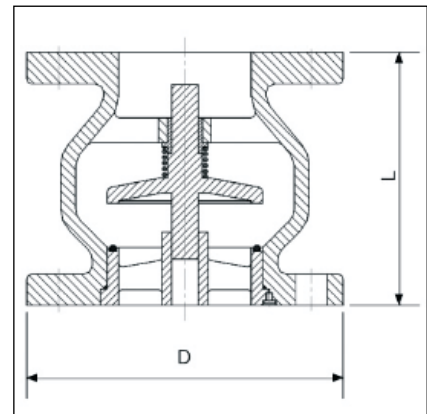
Purpose: The Beeco Silent Check Valve is a fast-closing check valve that is designed to prevent slam when closing. It eliminates water hammer with a check valve that operates smoothly and silently itself. The Beeco SCV Series features a center guided single disc with bronze or stainless seating with special stainless steel spring control to insure positive, noiseless opening and closing.

Sizing and Installation Guide: The Beeco Silent Check Valve is available in sizes 2" through 16". The valve is rated to a working pressure of 125 with 250 pressure available. The valve should be sized to the system flow rate.

Part Name	Material	EN Spec.	ASTM Spec.
Body	Cast Iron	EN-JL1040	A126 Class B
Disc	Bronze	EN1982 CC491K	B62 C83600
	Stainless Steel	BS970 304S15	A351 CF8
Seat	Bronze	EN1982 CC491K	B62 C83600
	Stainless Steel	BS970 304S15	A351 CF8
Seat O-Ring	EPDM/NBR/Viton	Commercial	Commercial
Spring	Stainless Steel	BS970 304S15	AISI 304
Bushing	Bronze	EN1982 CC491K	B62 C83600
Screw	Stainless Steel	BS970 304S15	AISI 304



Model No.	Size	L	D			
			EN-1092-2 PN16 Flange	EN-1092-2 PN25 Flange	ANSI 125# Flange	ANSI 250# Flange
SCV2.00-FLG-SS	2"	5.24"	6.50"	6.50"	5.98"	6.50"
SCV2.50-FLG-SS	2 1/2"	5.51"	7.28"	7.28"	7.01"	7.52"
SCV3.00-FLG-SS	3"	5.98"	7.87"	7.87"	7.52"	8.27"
SCV4.00-FLG-SS	4"	7.28"	8.66"	9.25"	9.02"	10.00"
SCV5.00-FLG-SS	5"	8.50"	9.84"	10.63"	10.00"	10.98"
SCV6.00-FLG-SS	6"	9.76"	11.22"	11.81"	10.98"	12.52"
SCV8.00-FLG-SS	8"	12.52"	13.39"	14.17"	13.50"	15.00"
SCV10.00-FLG-SS	10"	15.47"	15.94"	16.73"	15.98"	17.52"
SCV12.00-FLG-SS	12"	14.25"	18.11"	19.09"	19.02"	20.51"
SCV14.00-FLG-SS	14"	15.75"	20.47"	21.85"	20.98"	22.99"
SCV16.00-FLG-SS	16"	17.56"	22.83"	24.41"	23.50"	25.51"



CALIFORNIA PROPOSITION 65 WARNING. This product contains chemicals known to the State of California to cause cancer and birth defects or other reproductive harm.

Job Name: _____ Page No: _____
 Section No: _____ Contractor: _____
 Schedule No: _____ Purchase Order No: _____