

Location: \_\_\_\_\_

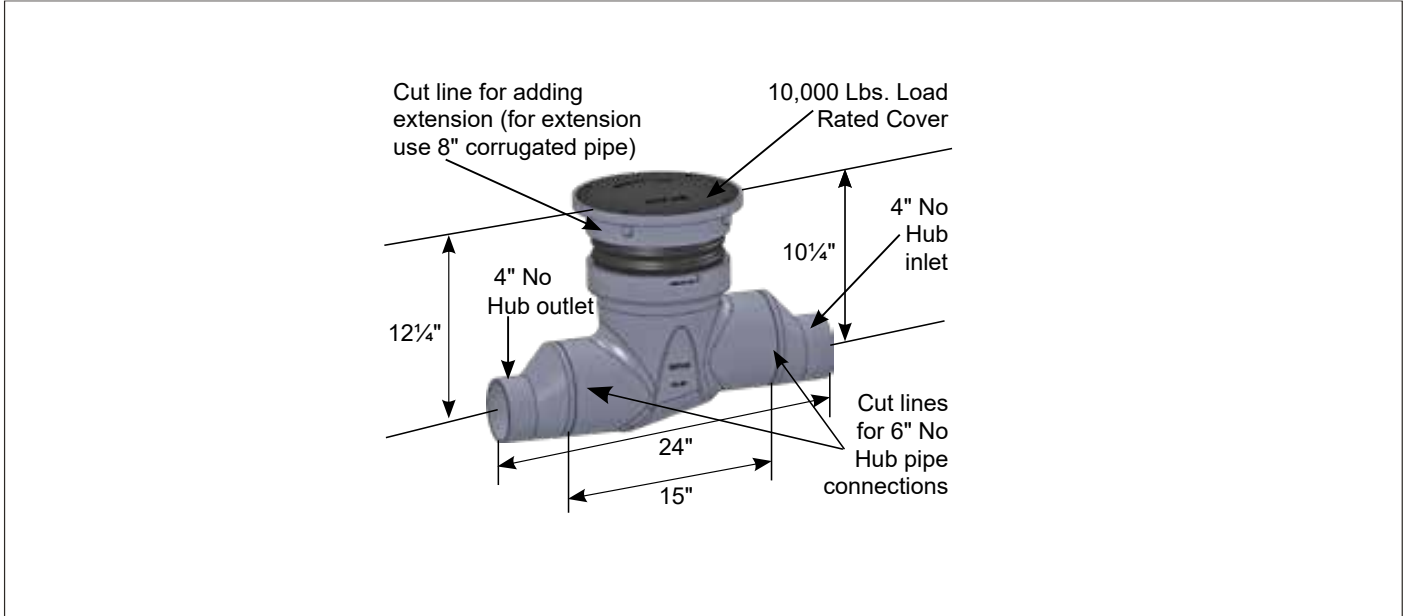


**SAMPORT**

**Lil Max® – SAMPORT**

**Specification:** MIFAB® SAMPORT low profile HDPE molded sample port with a 4" inlet and outlet, 10,000 Lbs. load rated lid with 8" corrugated plastic pipe adjustability.

**Function:** Several areas require the use of sampling ports to provide the local authorities an opportunity to retrieve and test waste water discharged from the grease interceptor to ensure that the FOG contained within the effluent is within requirements. The MIFAB SAMPORT is ideal for applications that require a low profile design.



Model No.	Description
SAMPORT	External sampling port

CALIFORNIA PROPOSITION 65 WARNING. This product contains chemicals known to the State of California to cause cancer and birth defects or other reproductive harm.

Job Name: \_\_\_\_\_

Page No: \_\_\_\_\_

Section No: \_\_\_\_\_

Contractor: \_\_\_\_\_

Schedule No: \_\_\_\_\_

Purchase Order No: \_\_\_\_\_