

Location: _____

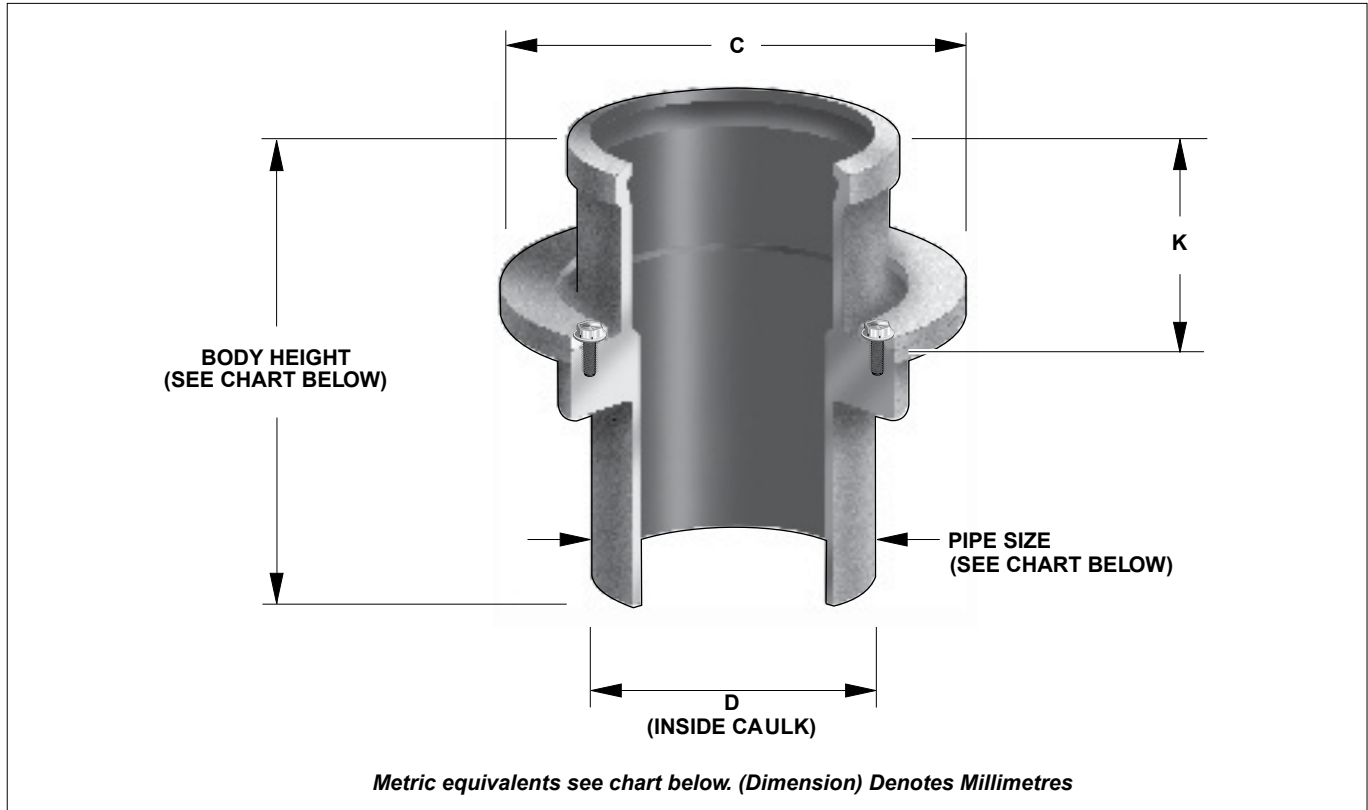


R1850

VENT STACK FLASHING SLEEVE

Specification: MIFAB® Series R1850 lacquered cast iron sleeve with membrane clamp.

Function: R1850 lacquered cast iron sleeve is used as a counter flashing sleeve where roofing membranes are terminated at the vent stack protruding through the roof.



Note: The R1854 is made out of lacquered cast iron material. All other sizes are made from fabricated 14 gauge galvanized steel that is powder, epoxy coated with an electro-static application. These models are standard with an acid resistant epoxy finish.

MODEL NO.	PIPE SIZE	BODY HEIGHT	C	D	K	WEITH Lbs.
R1851.5	1 1/2" (38)	8" (203)	6 1/2" (165)	2 5/8" (67)	3" (76)	18
R1852	2" (51)	8 1/8" (206)	6 1/2" (165)	3 1/8" (79)	3" (76)	26
R1853	3" (76)	8 1/8" (206)	8 1/2" (216)	4 1/4" (108)	3 1/8" (79)	52
R1854	4" (102)	8 1/2" (216)	8 1/2" (216)	5 1/4" (133)	3 1/8" (79)	12
R1855	5" (127)	8 1/2" (216)	9 1/2" (241)	6 1/2" (165)	2 1/2" (64)	11
R1856	6" (152)	8 1/8" (206)	10 1/2" (216)	7 1/2" (190)	3 1/8" (79)	13
R1858	8" (203)	8 3/4" (222)	14 1/2" (368)	9 3/4" (248)	2 3/4" (70)	20
R1850-10	10" (254)	8 3/4" (222)	16 1/2" (419)	11 5/8" (295)	2 3/4" (70)	45
R1850-12	12" (305)	8 3/4" (222)	18 1/2" (470)	13 5/8" (346)	2 3/4" (70)	60

SUFFIX **OPTIONAL VARIATIONS**
 -13 Galvanized cast iron
 -BA Minimum 51% material cost made in the USA
 -PA Pennsylvania Steel Act compliant product

CALIFORNIA PROPOSITION 65 WARNING. This product contains chemicals known to the State of California to cause cancer and birth defects or other reproductive harm.

Job Name: _____ Page No: _____
 Section No: _____ Contractor: _____
 Schedule No: _____ Purchase Order No: _____