

Location: \_\_\_\_\_

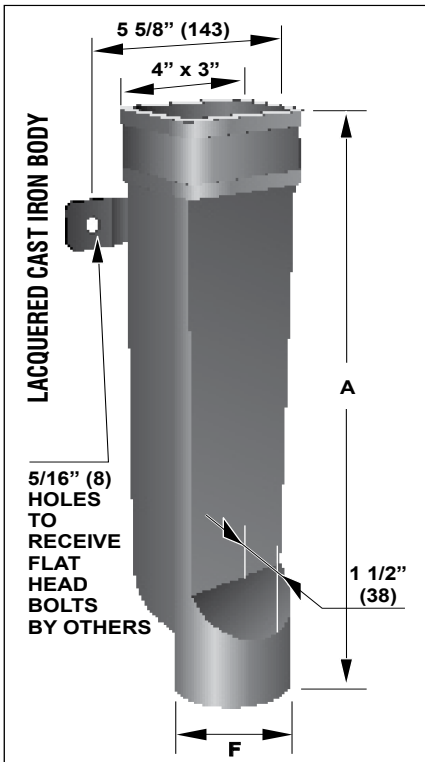


**R1500**

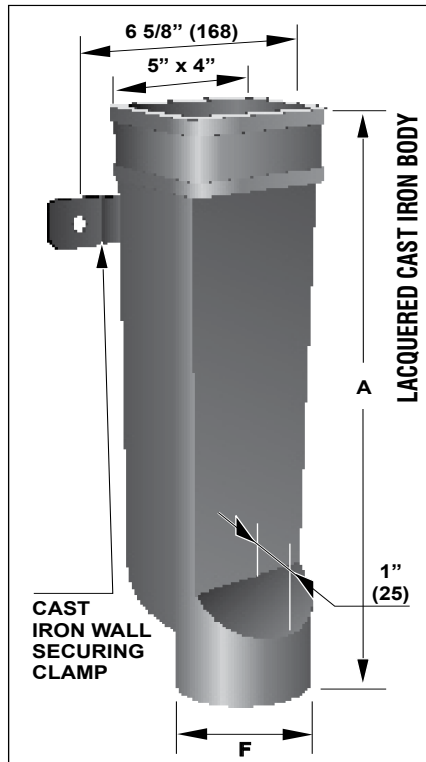
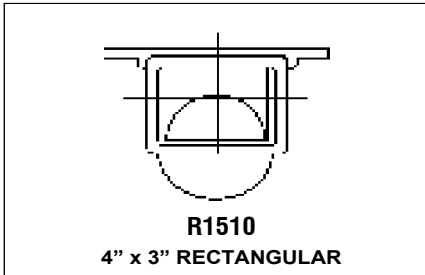
**DOWNSPOUT BOOTS**

**Specification:** MIFAB® Series R1500 (specify type and size) lacquered cast iron downspout boot with wall securing clamp and hardware.

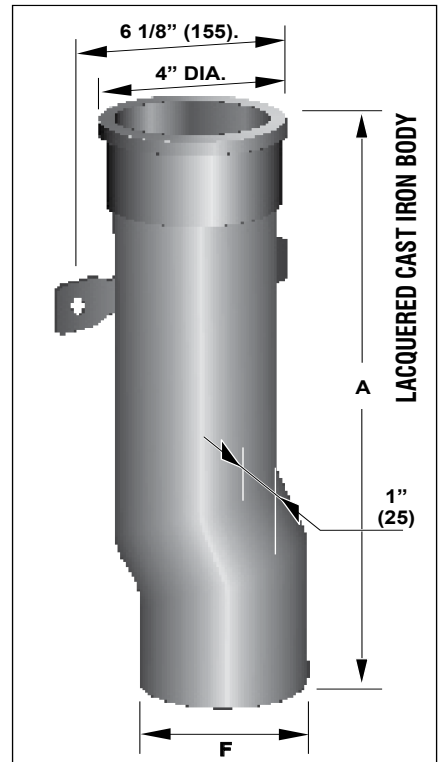
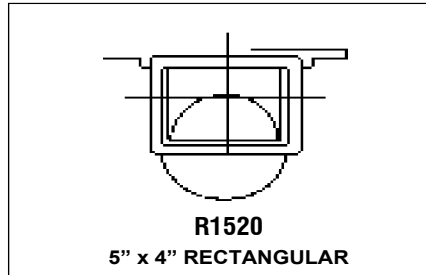
**Function:** Downspout boots are used as a transition piece for connecting sheet metal exposed downspouts to underground cast soil piping. Solid cast iron construction ensures that the bottom part of the exposed downspout is protected from damage.



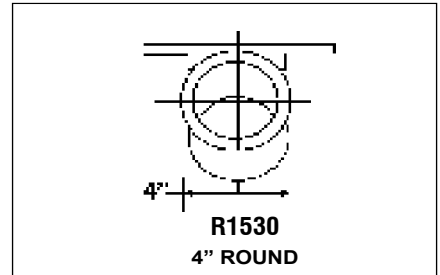
**PLAN VIEW RECTANGULAR**



**PLAN VIEW RECTANGULAR**



**PLAN VIEW ROUND**



MODEL NO.	BODY SIZE	A LENGTH	F NO HUB PIPE SIZE CONNECTION
R1510-12	4" x 3"	12"	4"
R1510-18	4" x 3"	18"	4"
R1510-24	4" x 3"	24"	4"
R1520	5" x 4"	24"	4"
R1530	4" x DIA.	18"	4"

SUFFIX	OPTIONAL VARIATIONS
-13	All galvanized body
-45	Degree outlet (powder epoxy coated fabricated steel design only)
-90	Degree outlet (powder epoxy coated fabricated steel design only)
-BA	Minimum 51% material cost made in the USA
-CA	Cleanout access with plug
-PA	Pennsylvania Steel Act compliant product

CALIFORNIA PROPOSITION 65 WARNING. This product contains chemicals known to the State of California to cause cancer and birth defects or other reproductive harm.

Job Name: \_\_\_\_\_ Page No: \_\_\_\_\_  
 Section No: \_\_\_\_\_ Contractor: \_\_\_\_\_  
 Schedule No: \_\_\_\_\_ Purchase Order No: \_\_\_\_\_

MIFAB® reserves the right to make changes in material and design without formal notice and obligation.

USA: 1-800-465-2736 www.mifab.com CAN: 1-800-387-3880

2024-04-20