

Location: _____

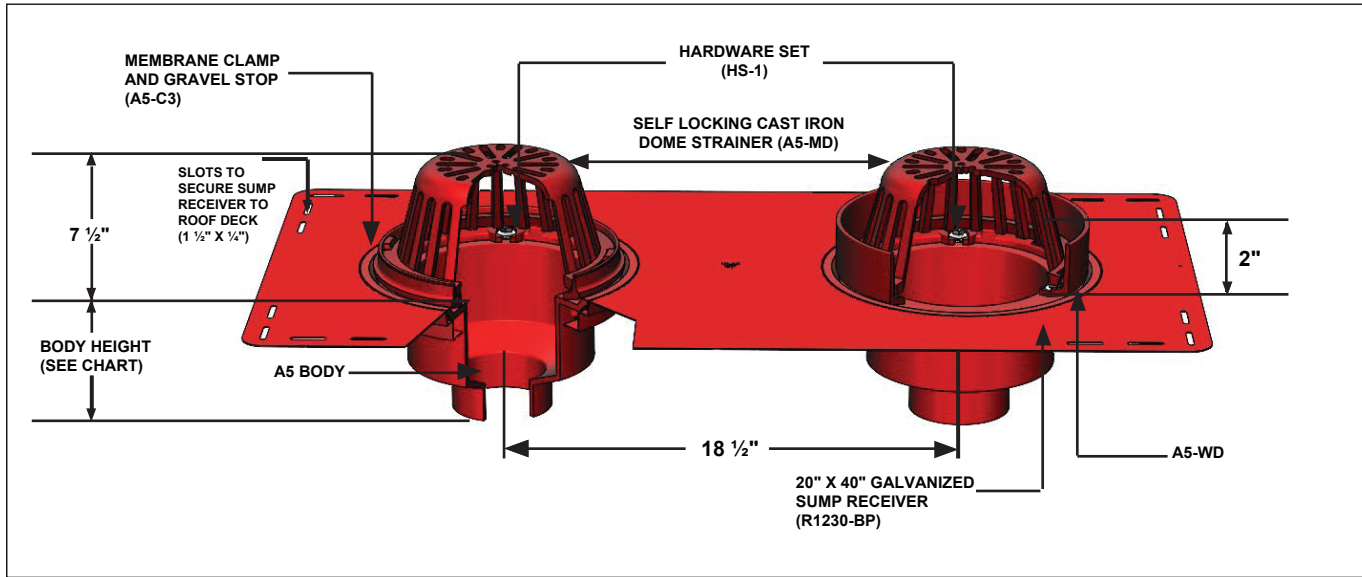


R1230

COMBINED MEDIUM SUMP ROOF DRAIN WITH SECONDARY OVERFLOW

Specification: MIFAB® Series R1230 combined medium sump roof drain and secondary overflow system; consisting of 20" x 40" galvanized sump receiver, two lacquered cast iron roof drain bodies with 12" diameter anchor flange, cast iron waterproofing membrane clamp rings with integral gravel stop, one 2" high water dam and two self-locking cast iron dome strainers with a combined free area of 160 square inches.

Function: Used in any of conventional or flat roofs where a safety overflow, which receives water only when the accumulation is greater than the height of the standpipe, is required to be located beside a standard roof drain. Domes provide for efficient drainage of rain water and prevent debris from entering the drain line. The underdeck clamp ring is eliminated with this product because the roof drain bodies are bolted to the underside of the sump receiver and is therefore fixed. Three pieces of 5/16" x 3/4" hardware bolts and washers are provided to secure MIFAB's A5 bodies to the underside of the R1230-BP. For all types of roof construction.



PIPE SIZE	BODY HEIGHT	
	NO HUB (STANDARD)	INSIDE CAULK
2" (51)	6 1/2" (165)	6.575" (167)
3" (76)	6 1/2" (165)	6.575" (167)
4" (102)	6 1/2" (165)	6.575" (167)
6" (152)	6 1/2" (165)	6.575" (167)

SUFFIX	OPTIONAL VARIATIONS
-6	Vandal proof dome
-11	Acid resistant epoxy coating
-12	Galvanized metal dome
-12A	Galvanized body and membrane clamp
-13	Galvanized body, membrane clamp and dome
-83	Stainless steel mesh screen over domes
(Standard)	No hub outlet
-BA	Minimum 51% material cost made in the USA

SUFFIX	OPTIONAL VARIATIONS
-E	2nd Under deck clamp
-EG	Galvanized 2nd Under deck clamp
-G	Stainless steel ballast guard
-M	Cast iron dome strainer
-PA	Pennsylvania Steel Act compliant
-U	product Under deck clamp
-U3	Under deck clamp with cutaway side
-W-1	Water proofing flange
-X	Inside caulk outlet (2",3",4")

CALIFORNIA PROPOSITION 65 WARNING. This product contains chemicals known to the State of California to cause cancer and birth defects or other reproductive harm.

Job Name: _____ Page No: _____
 Section No: _____ Contractor: _____
 Schedule No: _____ Purchase Order No: _____

2023-09-08RH