

Location: _____

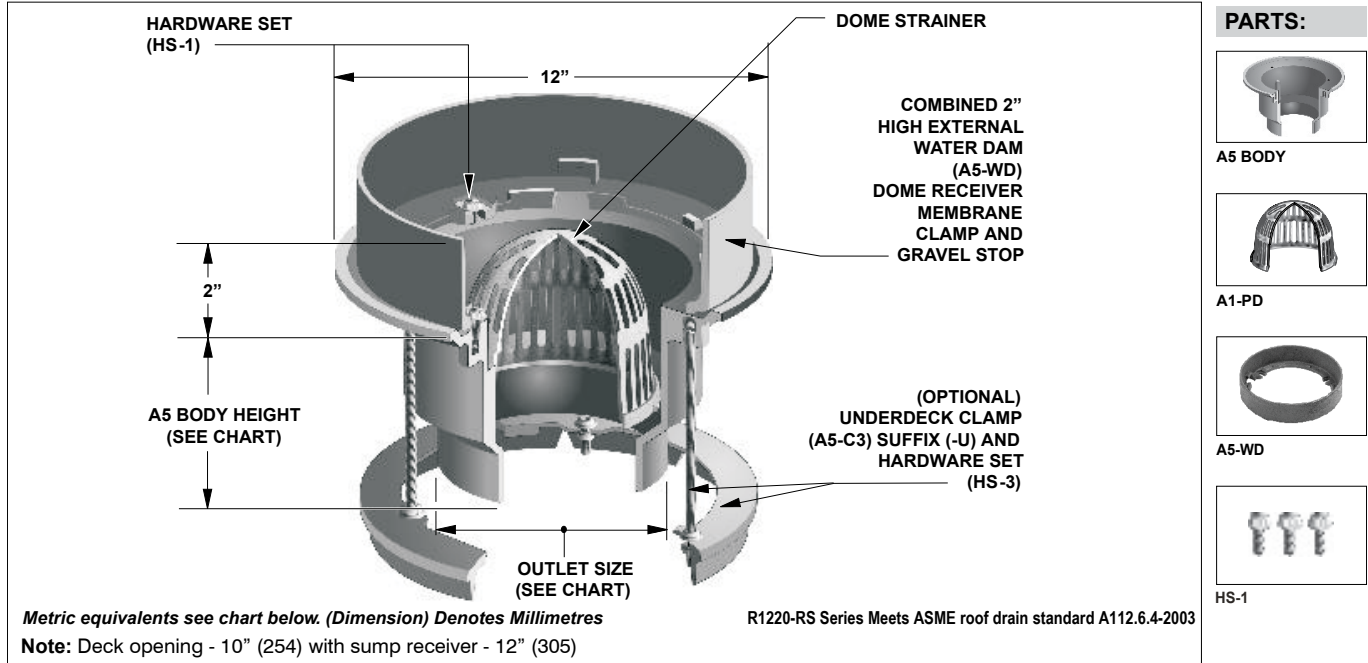


R1220-RS

**MEDIUM SUMP ROOF DECK
CONDENSATE RECEPTOR DRAIN**

Specification: MIFAB® Series R1220-RS lacquered cast iron medium sump roof drain with 12" diameter anchor flange, 2" high cast iron external combined water dam and waterproofing membrane clamp ring, and internal dome strainer.

Function: Used in flat roofs to receive condensate and wastewater from air conditioners, cooling towers and other mechanical equipment. The 2" high external dam prevents storm water from entering the drain line and the internal dome strainer prevents debris from entering the drain line. Extra wide anchor flange and membrane clamp with tongue in groove design provides for secure grip of membrane and roof flashing materials.



PIPE SIZE	BODY HEIGHT	
	NO HUB (STANDARD)	INSIDE CAULK (X)
2" (51)	6 1/2" (165)	6.575 (167)
3" (76)	6 1/2" (165)	6.575 (167)
4" (102)	6 1/2" (165)	6.575 (167)
6" (152)	6 1/2" (165)	6.575 (167)

SUFFIX OPTIONAL VARIATIONS

- 11 Acid resistant epoxy coating
- 12 Galvanized metal dome
- 13 Galvanized body and dome
- 83 Stainless steel mesh screen over metal dome
- (Standard) No hub outlet
- B Sump receiver
- BA Buy America Act compliant product
- E Adjustable extension
- EG Galvanized Adjustable extension
- HC Adjustable ballast guard with sec. clamp

SUFFIX OPTIONAL VARIATIONS

- JC S.S. ballast guard with secondary clamp
- PA Pennsylvania Steel Act compliant product
- U Underdeck clamp
- U3 Underdeck clamp with cutaway side
- W-1 Water proofing flange
- X Inside caulk outlet (2",3",4")
- XJ Vertical expansion joint (see R1900)
- Z Extended wide elastomeric flange

CALIFORNIA PROPOSITION 65 WARNING. This product contains chemicals known to the State of California to cause cancer and birth defects or other reproductive harm.

Job Name: _____ Page No: _____
 Section No: _____ Contractor: _____
 Schedule No: _____ Purchase Order No: _____