

Location: _____

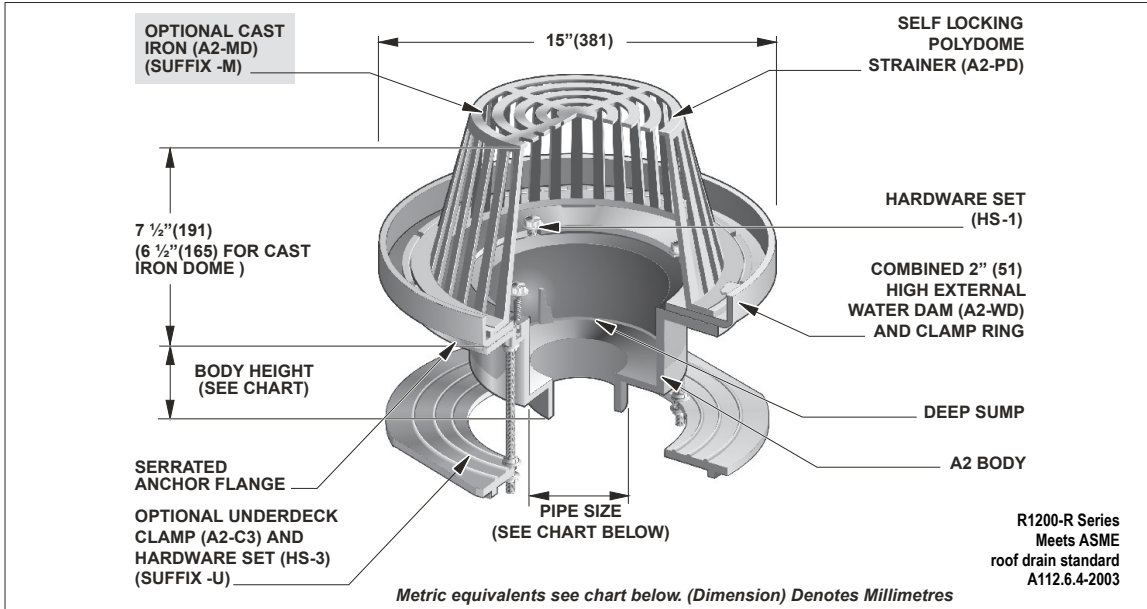


R1200-R

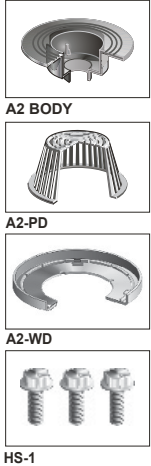
LARGE SUMP ROOF DRAIN WITH EXTERNAL 2" WATER DAM

Specification: MIFAB® Series R1200-R lacquered cast iron deep sump roof drain with 15" diameter anchor flange, 2" high cast iron external combined water dam and waterproofing membrane clamp ring, and standard self-locking polyethylene dome strainer with a free area of 125 square inches.

Function: Used in flat roofs where a constant height of water is required. Also used as an emergency overflow, draining water when the depth of the water on the roof exceeds the water dam height. Large free area dome provides for efficient drainage of rainwater and prevents debris from entering the drain line. Extra wide anchor flange and membrane clamp with tongue in groove design provides for secure grip of membrane and roof flashing materials.



PARTS:



Note: Deck opening - 10" (254) with sump receiver - 15 3/4" (400)

PIPE SIZE	BODY HEIGHT				
	NO HUB (STANDARD)	PUSH ON (P)	THREADED (T)	INSIDE CAULK (X)	PVC (-30) / ABS (-31)
2" (51)	5 3/4" (146)	5 1/2" (140)	6 1/2" (165)	6 1/2" (165)	6 3/4" (171)
3" (76)	5 3/4" (146)	5 1/2" (140)	6 5/8" (168)	6 1/2" (165)	7 1/2" (191)
4" (102)	5 3/4" (146)	5 1/2" (140)	5 1/2" (140)	6 1/2" (165)	7 5/8" (194)
5" (127)	5 3/4" (146)	5 1/2" (140)	6 5/8" (168)	6 3/4" (171)	-
6" (152)	7 1/4" (184)	5 5/8" (143)	5 5/8" (143)	6 1/2" (165)	-
8" (203)	5 7/8" (149)	N/A	N/A	(A7-8X body)	-

SUFFIX	OPTIONAL VARIATIONS
-6	Vandal proof dome (metal dome only)
-11	Acid resistant epoxy coating
-12	Galvanized metal dome
-12A	Galvanized body and membrane clamp
-12B	Galvanized metal dome and membrane clamp
-13	Galvanized body, membrane clamp and dome
-28	Stainless steel body (Type 304) (2", 3", 4")
-30	PVC socket connection body
-31	ABS socket connection body
-81	Rough bronze dome
-83	Stainless steel mesh screen over dome
-90	Threaded side outlet (2", 3", 4", 6")
-90NH	No Hub side outlet (cast iron only) (2", 3", 4")
(Standard)	No hub outlet
-B	Sump receiver
-BA	Minimum 51% material cost made in the USA
-E	Adjustable extension
-EG	Galvanized Adjustable extension

SUFFIX	OPTIONAL VARIATIONS
-F1, -F2, -F3	Accuflow (parabolic weir) specify
-G	Stainless steel ballast guard
-HC	Adjustable ballast guard with sec. clamp
-JC	S.S. ballast guard with secondary clamp
-M	Metal dome
-M-80	Low profile silhouette aluminum dome
P	Push on outlet
-PA	Pennsylvania Steel Act compliant product
-RG	RoofGuard non clogging cast iron dome
T	Threaded outlet (2", 3", 4")
-U	Underdeck clamp
-U3	Underdeck clamp with cutaway side
-V	Fixed Static Extension 2", 3", 4"
-VG	Galvanized fixed extension (2", 3", 4")
-W-1	Water proofing flange
X	Inside caulk outlet (2", 3", 4")
-XJ	Vertical expansion joint (see R1900)
-Z	Extended wide elastomeric flange

CALIFORNIA PROPOSITION 65 WARNING. This product contains chemicals known to the State of California to cause cancer and birth defects or other reproductive harm.

Job Name: _____ Page No: _____

Section No: _____ Contractor: _____

Schedule No: _____ Purchase Order No: _____