

Location: _____

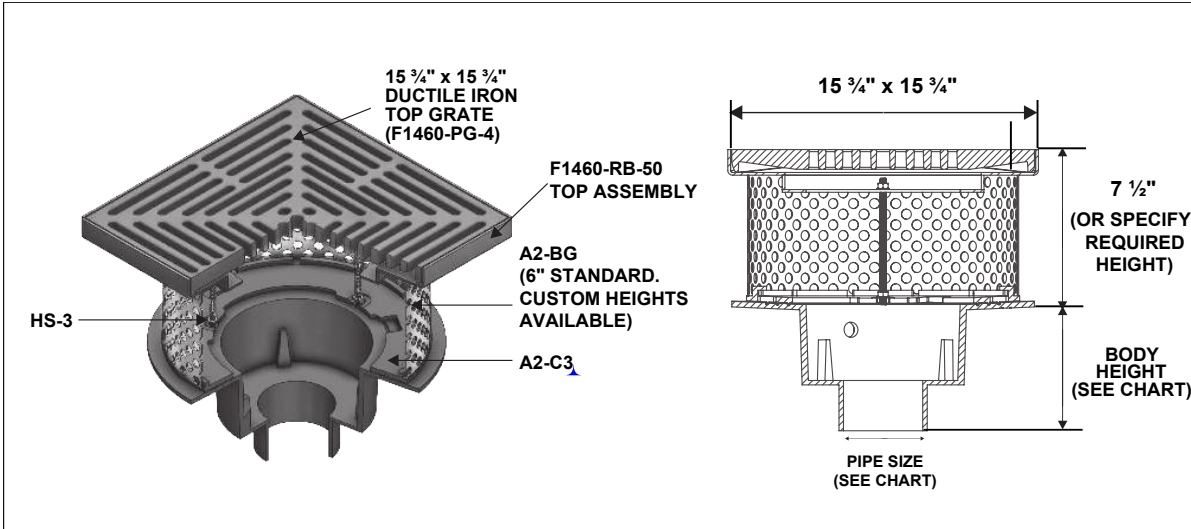


R1200-RB15

LARGE SUMP PROMENADE DECK DRAIN WITH ADJUSTABLE EXTENSION AND 15 3/4" x 15 3/4" SECURED TOP ASSEMBLY

Specification: MIFAB® Series R1200-RB15 lacquered cast iron deep sump deck drain with anchor flange, weepholes, and adjustable perforated stainless steel extension with standard 1" (25) thick, 15 3/4" (400) square, (specify material finish) tractor grate.

Function: Used in warehouses, mechanical rooms, parking garages, promenade decks and other finished areas. Adjustable, perforated, ballast guard provides extension to meet the finished floor height and permits the drainage of water. 15 3/4" square, adjustable tractor grate is used with all types of poured finished floors.



PARTS:



MODEL NUMBER	WEIGHT (LBS.)	PIPE SIZE: NO HUB (STANDARD)
R1202,3,4-RB15	69.00	2", 3", 4"
R1205,6-RB15	71.00	5", 6"
R1208-RB15	73.00	8"

SUFFIX	OPTIONAL VARIATIONS
-1	Nickel bronze strainer (vener)
-3	Stainless steel strainer (vener)
-4	Ductile iron strainer
-5	Sediment bucket
-6	Security screws (T-20 Torx & pin)
-7	1/2" trap seal primer connection
-8	Backwater valve (2", 3", 4")
-11	Acid resistant epoxy coated body
-12	Galvanized top assembly
-13	Galvanized body
-15	Extension
-20	Secondary dome strainer
-21	Secondary flat stainless steel strainer (2", 3", 4")
-24	Solid secured cover
-28	Stainless steel body (Type 304)
-30	PVC socket connection body
-31	ABS socket connection body
-32	2", 3", 4" integral deep seal trap
-34	Closure plug
-35	Stainless steel mesh over bucket
-40	Underdeck clamp

SUFFIX	OPTIONAL VARIATIONS
-41	Sump receiver
-50	Lacquered cast iron funnel
-90	Threaded side outlet (2", 3", 4", 6")
-90NH	No hub side outlet (2", 3", 4")
-95	Client logo
-BA	Buy American Act compliant product
-F4	4" Round funnel
-F6	6" Round funnel
-G	Oval 4" x 9" funnel
-HP	Heel proof grate (1/4" maximum grate opening size, -3 only)
-J	6" x 3" x 1" funnel
(Standard)	No hub outlet
-MG	MI-GARD Floor Drain Trap Sealer (2", 3" or 4")
P	Push on outlet
-PA	Pennsylvania Steel Act compliant product
T	Threaded outlet (2", 3", 4")
X	Inside caulk outlet
-Y	Non-adjustable top
-Z	Extended wide elastomeric flange

CALIFORNIA PROPOSITION 65 WARNING. This product contains chemicals known to the State of California to cause cancer and birth defects or other reproductive harm.

Job Name: _____ Page No: _____
 Section No: _____ Contractor: _____
 Schedule No: _____ Purchase Order No: _____