

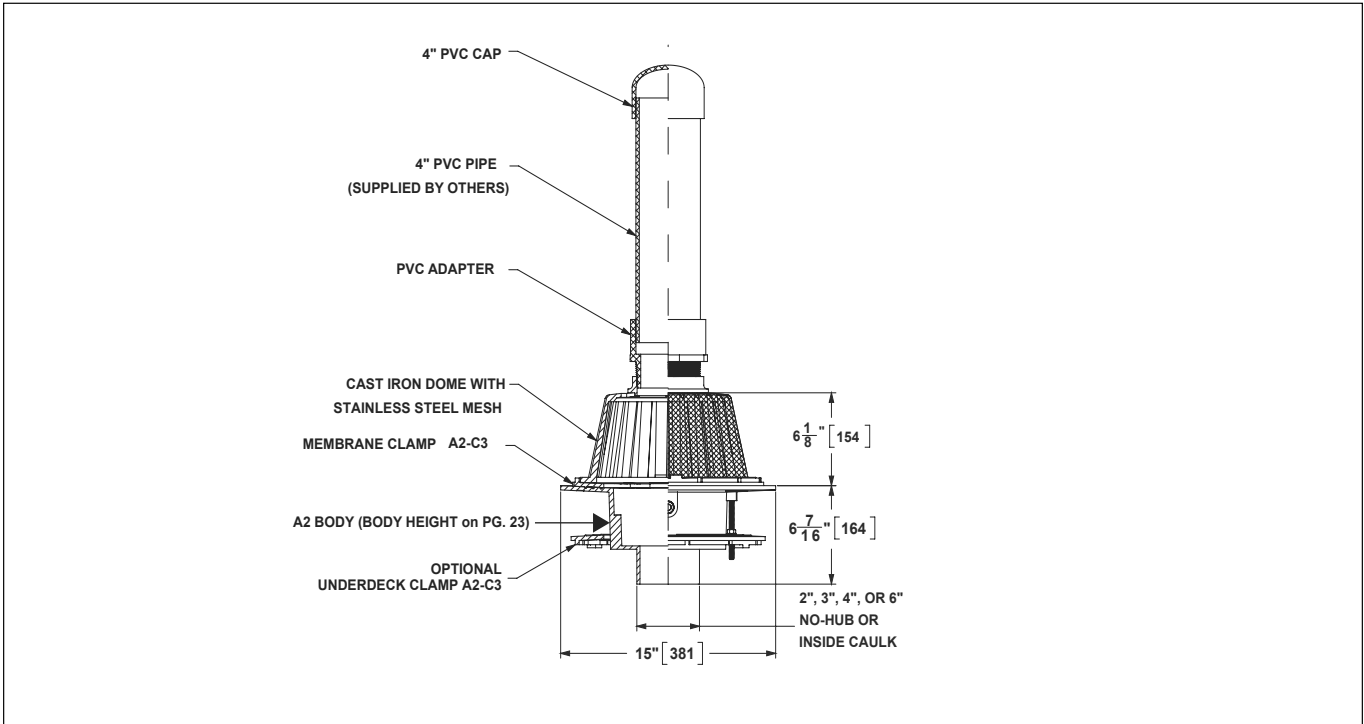
Location: \_\_\_\_\_



**R1200-JD-W30**

**LARGE GREEN ROOF DRAIN WITH STAINLESS STEEL MESH COVERED CAST IRON DOME AND TOP PVC CAP**

**Specification:** MIFAB® Series R1200-JD-W30 large green roof drain with 15" diameter, lacquered cast iron A8 body with combination membrane clamp and gravel guard with low silhouette cast iron, stainless steel mesh covered dome and top PVC cap.



PIPE SIZE	A8 BODY HEIGHT	
	NO HUB (STANDARD)	INSIDE CAULK (X)
2" (51)	4 1/8" (104)	5.05" (127)
3" (76)	4 1/8" (104)	5.05" (127)
4" (102)	4 1/8" (104)	5.05" (127)
5" (127)	4 1/8" (104)	5.05" (127)
6" (152)	4 1/8" (104)	5.05" (127)

MODEL NUMBER	PIPE SIZE
<b>R1202,3,4-JD-W30</b>	2", 3", 4"
<b>R1205,6-JD-W30</b>	5", 6"
<b>R1208-JD-W30</b>	8"

Suffix	Description
<b>-6</b>	Vandal proof (Metal dome only) (H-1029)
<b>-11</b>	Acid resistant epoxy coated body, membrane clamp & dome
<b>-12</b>	Galvanized metal dome
<b>-12A</b>	Galvanized body and membrane clamp
<b>-12B</b>	Galvanized metal dome and membrane clamp
<b>-13</b>	Galvanized metal dome and membrane clamp
<b>-28</b>	Galvanized body, membrane clamp and dome
<b>-B</b>	Stainless steel body (Type 304)
<b>-BA</b>	Minimum 51% material cost made in the USA

<b>-C</b>	Secondary clamp (A8-UDC)
<b>-E</b>	Adjustable extension
<b>-EG</b>	Galvanized Adjustable extension
<b>-G</b>	Ballast guard (A8-BG)
<b>-PA</b>	Pennsylvania Steel Act compliant product
<b>-U</b>	Underdeck clamp (A8-UDC)
<b>-V</b>	Fixed extension, (2", 3", 4") (A8-V2, A8-V3, A8-V4)
<b>-VG</b>	Galvanized fixed extension, (2", 3", 4")
<b>-W-1</b>	Water proofing flange (A8-W-1)
<b>X</b>	Inside caulk outlet, (2", 3", 4", 5" or 6")
<b>-Z</b>	Extended wide flange on body (20"Dia. x 1/4 thick)

CALIFORNIA PROPOSITION 65 WARNING. This product contains chemicals known to the State of California to cause cancer and birth defects or other reproductive harm.

Job Name: \_\_\_\_\_ Page No: \_\_\_\_\_  
 Section No: \_\_\_\_\_ Contractor: \_\_\_\_\_  
 Schedule No: \_\_\_\_\_ Purchase Order No: \_\_\_\_\_