

Location: \_\_\_\_\_

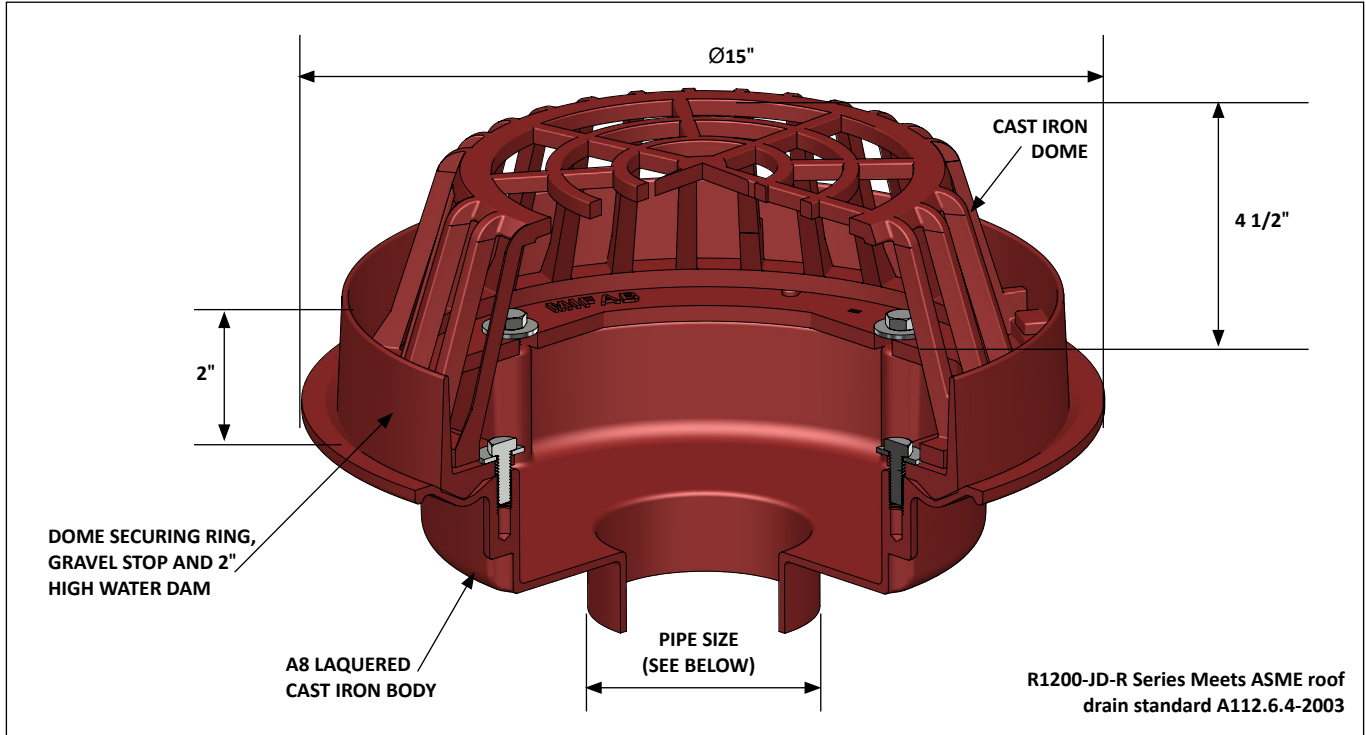


# R1200-JD-R

## LARGE SUMP REPLACEMENT ROOF DRAIN WITH 2" WATER DAM

**Specification:** MIFAB® Series R1200-JD-R lacquered cast iron large sump 15" diameter roof drain with anchor flange, large cast iron waterproofing membrane clamp ring with 2" water dam and four bolt pattern, integral gravel stop and standard self-locking cast iron dome stainer with a free area of 103 square inches.

**Function:** Used in any type of flat roofs to replace the existing Josam, Smith, Wade or Zurn large sump roof drain. Large free area dome provides for efficient drainage of rain water and prevents debris from entering the drain line. 2" high water dam provides the overflow function required.



PIPE SIZE	NO HUB (STANDARD)	INSIDE CAULK (X)
3" (76)	4 1/8" (105)	4 1/8" (105)
4" (102)	4 1/8" (105)	4 1/8" (105)
6" (152)	4 1/8" (105)	4 1/8" (105)

SUFFIX	OPTIONAL VARIATIONS
6	Vandal proof dome
-11	Acid resistant epoxy coating
-12	Galvanized metal dome
-12A	Galvanized body and membrane clamp
-13	Galvanized body, membrane clamp and dome
-83	Stainless steel mesh screen over dome
(Standard)	No hub outlet
-B	Sump receiver
-BA	Minimum 51% material cost made in the USA
-G	Stainless steel ballast guard
-PA	Pennsylvania Steel Act compliant product
-RG	RoofGuard non clogging cast iron dome
-V	Fixed static extension, 2", 3", 4"
X	Inside caulk outlet (2", 3", 4")

CALIFORNIA PROPOSITION 65 WARNING. This product contains chemicals known to the State of California to cause cancer and birth defects or other reproductive harm.

Job Name: \_\_\_\_\_ Page No: \_\_\_\_\_  
 Section No: \_\_\_\_\_ Contractor: \_\_\_\_\_  
 Schedule No: \_\_\_\_\_ Purchase Order No: \_\_\_\_\_

MIFAB® reserves the right to make changes in material and design without formal notice and obligation.