

Location: \_\_\_\_\_

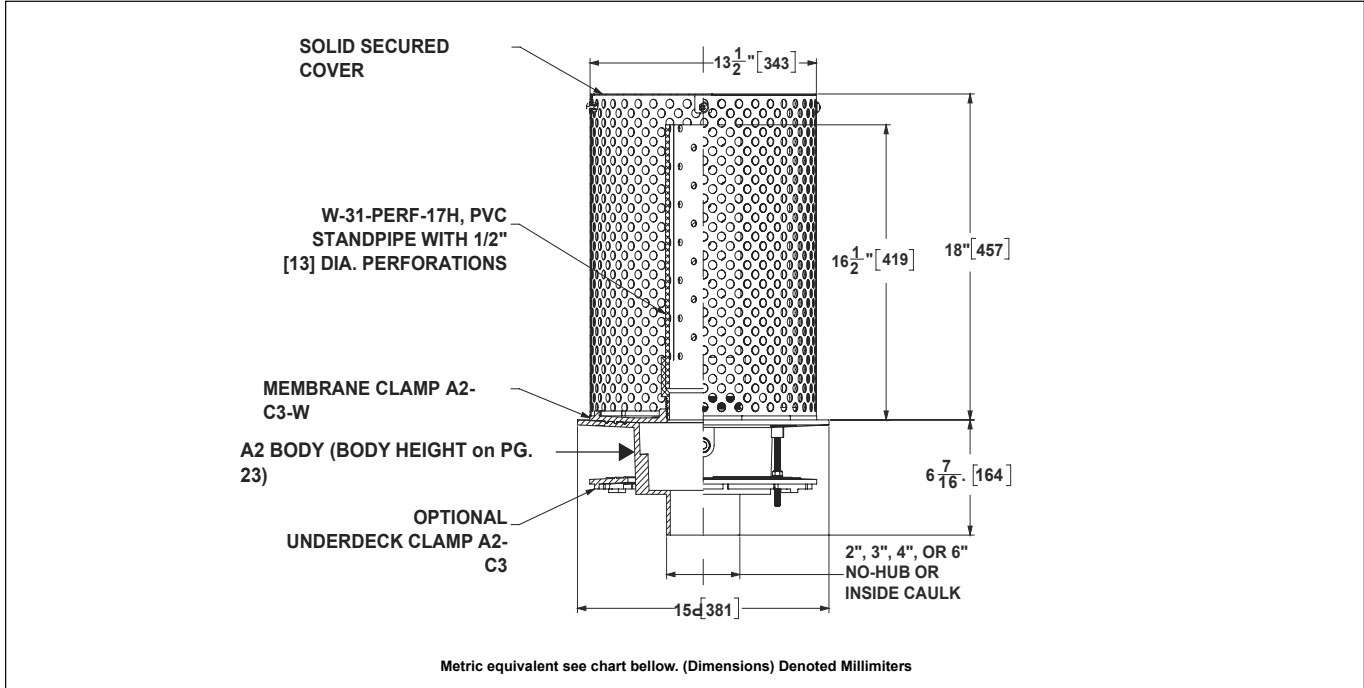


**R1200-JD-G18H-W31P-16.5L**

**ROOF DRAIN WITH BALLAST  
GUARD AND PERFORATED STANDPIPE**

**Specification:** MIFAB® Series R1200-JD-G-W31 lacquered cast iron large planting area drain with anchor flange, cast iron water proofing membrane clamp ring, and extended perforated stainless steel ballast guard with a solid secured cover and internal perforated standpipe.

**Function:** Used to drain water that accumulates on green roof applications. The perforated stainless steel ballast guard prevents vines from entering the drain line.



PIPE SIZE	A8 BODY HEIGHT	
	NO HUB (STANDARD)	INSIDE CAULK (X)
2" (51)	4 1/8" (104)	5.05" (127)
3" (76)	4 1/8" (104)	5.05" (127)
4" (102)	4 1/8" (104)	5.05" (127)
5" (127)	4 1/8" (104)	5.05" (127)
6" (152)	4 1/8" (104)	5.05" (127)

Suffix	Description
-11	Acid resistant epoxy coated body, membrane clamp & dome
-12A	Galvanized body and membrane clamp
-13	Galvanized body, membrane clamp and dome
-28	Stainless steel body (Type 304)
-47	Custom ballast guard height (per 1" over the standard 8")
-48	Custom perforated PVC standpipe height (per 1" over the standard 16 1/2" height)
-B	Sump receiver (A8-BP)
-BA	Minimum 51% material cost made in the USA
-C	Secondary clamp (A8-C3)
-E	Adjustable extension
-EG	Galvanized adjustable extension
-PA	Pennsylvania Steel Act compliant product
-U	Underdeck clamp (A8-UDC)
-V	Fixed extension, (2",3",4") (A8-V2, A8-V3, A8-V4)
-VG	Galvanized fixed extension, (2",3",4")
-W-1	Water proofing flange (A8-W-1)
X	Inside caulk outlet, (2", 3", 4", 5" or 6")
-Z	Extended wide flange on body (20" Dia. x 1/4 thick)

CALIFORNIA PROPOSITION 65 WARNING. This product contains chemicals known to the State of California to cause cancer and birth defects or other reproductive harm.

Job Name: \_\_\_\_\_ Page No: \_\_\_\_\_  
 Section No: \_\_\_\_\_ Contractor: \_\_\_\_\_  
 Schedule No: \_\_\_\_\_ Purchase Order No: \_\_\_\_\_