

Location: _____

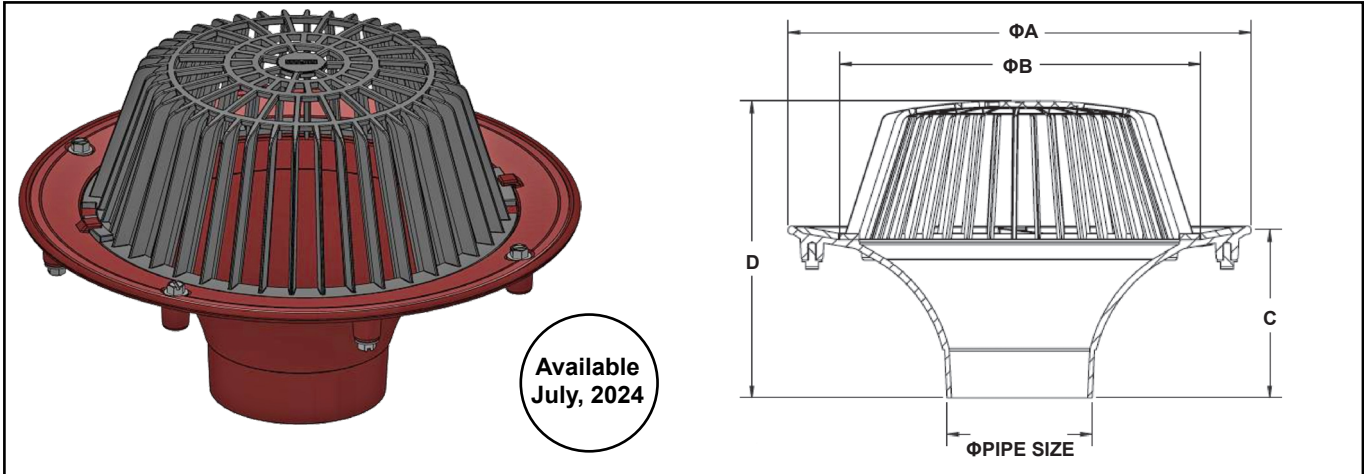


R1200-HF

HIGH FLOW LARGE SUMP ROOF DRAIN

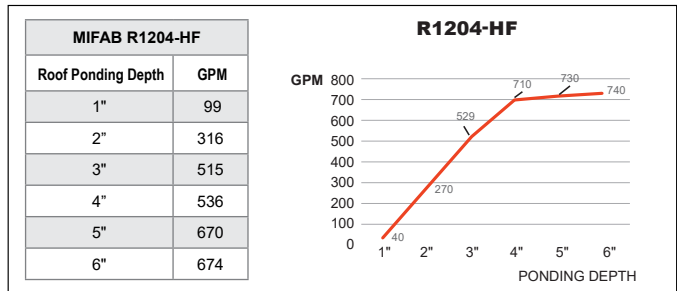
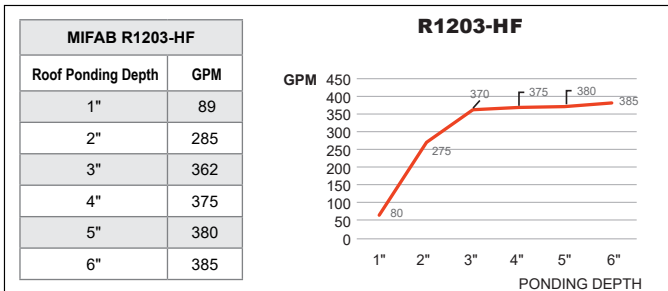
Specification: MIFAB® Series R1200-HF lacquered cast iron deep sump high flow roof drain with 16" diameter anchor flange, large cast iron waterproofing membrane clamp ring with integral gravel stop, and standard self-locking cast iron dome strainer with a free area of 125 square inches.

Function: Used in any type of flat roofs. Large free area dome provides for efficient drainage of rain water and prevents debris from entering the drain line. Extra wide anchor flange and membrane clamp with tongue in groove design provides for secure grip of membrane and roof flashing materials. The R1200-HF high flow roof drain is engineered to drain water from the roof faster than the typical roof drain design.



Available July, 2024

MODEL #	BODY HEIGHT NO HUB (STANDARD)			
	A	B	C	D
R1203-HF	16"	13"	7"	12.75"
R1204-HF	16"	13"	7"	12.75"
R1206-HF	20"	15.65"	7.5"	13"
R1208-HF	20"	15.65"	7.5"	13"



Suffix	Description
-6	Vandal proof (Metal dome only)(H-1029)
-11	Acid resistant epoxy coated body, membrane clamp & dome
-12	Galvanized metal dome
-12A	Galvanized body and membrane clamp
-12B	Galvanized metal dome and membrane clamp
-13	Galvanized body, membrane clamp and dome
-B	Sump receiver
-E	Adjustable extension

-EG	Galvanized Adjustable extension
-G	Ballast guard
-U	Underdeck clamp
-U3	Underdeck clamp with cut away side
-V	Fixed extension, (2",3",4")
-VG	Galvanized fixed extension, (2",3",4")

CALIFORNIA PROPOSITION 65 WARNING. This product contains chemicals known to the State of California to cause cancer and birth defects or other reproductive harm.

Job Name: _____ Page No: _____
 Section No: _____ Contractor: _____
 Schedule No: _____ Purchase Order No: _____