

Location: _____

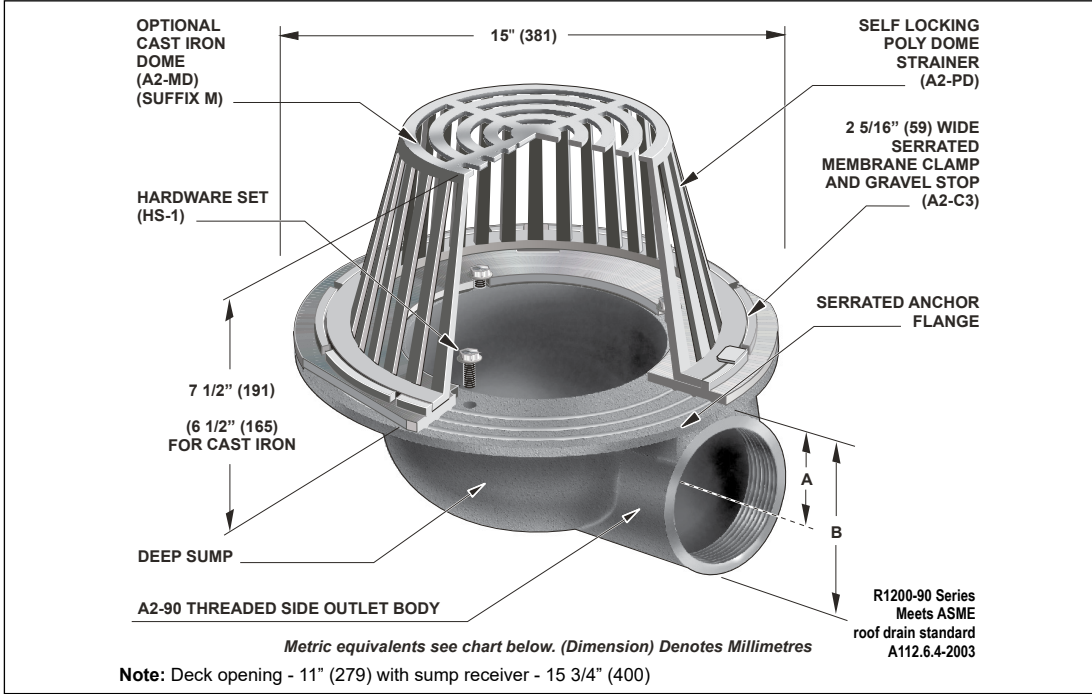


R1200-90

LARGE SUMP ROOF DRAIN WITH SIDE OUTLET

Specification: MIFAB® Series R1200-90 lacquered cast iron deep sump roof drain with threaded side outlet, 15" diameter anchor flange, large cast iron waterproofing membrane clamp ring with integral gravel stop, and standard self-locking polyethylene dome strainer with a free area of 125 square inches.

Function: Used in any type of flat roofs. Large free area dome provides for efficient drainage of rainwater and prevents debris from entering the drain line. Extra wide anchor flange and membrane clamp with tongue in groove design provides for secure grip of membrane and roof flashing materials.



PARTS:



A2-90



A2-PD



A2-C3



HS-1

Note: Deck opening - 11" (279) with sump receiver - 15 3/4" (400)

PIPE SIZE	BODY HEIGHT		
	"B" BODY HEIGHT THREADED OUTLET (STANDARD)	"A" DIMENSION THREADED OUTLET (STANDARD)	"A" DIMENSION NO HUB OUTLET
2" (51)	5 3/4" (146)	4 3/8" (111)	3 7/8" (98)
3" (76)	5 3/4" (146)	3 3/4" (95)	3 3/8" (86)
4" (102)	5 3/4" (146)	3 1/4" (83)	2 7/8" (73)

SUFFIX	OPTIONAL VARIATIONS
-6	Vandal proof dome (metal dome only)
-11	Acid resistant epoxy coating
-12	Galvanized metal dome
-12A	Galvanized body and membrane clamp
-13	Galvanized body, membrane clamp and dome
-14	Flat grate (replaces dome strainer)
-28	Stainless steel body (Type 304) (2", 3", 4")
-81	Rough bronze dome
-83	Stainless steel mesh screen over dome
(Standard)	No hub outlet
-B	Sump receiver
-BA	Minimum 51% material cost made in the USA
-C	Secondary clamp
-E	Adjustable extension
-EG	Galvanized Adjustable extension
-F1, -F2, -F3	Accuflow (parabolic weir) specify
-G	Stainless steel ballast guard

SUFFIX	OPTIONAL VARIATIONS
-HC	Adjustable ballast guard with sec. clamp
-JC	S.S. ballast guard with secondary clamp
-M	Metal dome
-M-80	Low profile silhouette aluminum dome
-NH	No hub side outlet
-PA	Pennsylvania Steel Act compliant product
-R	2" external water dam
-RG	RoofGuard non clogging cast iron dome
-U3	Underdeck clamp with cutaway side
-V	Fixed extension, 2", 3", 4"
-VG	Galvanized fixed extension (2", 3", 4")
-W	Adjustable water dam
-W-1	Water proofing flange
-W2	2" high internal water dam
-W3	3" high internal water dam
-W4	4" high internal water dam
-W6	6" diameter adjustable water dam
-Z	Extended wide elastomeric flange

CALIFORNIA PROPOSITION 65 WARNING. This product contains chemicals known to the State of California to cause cancer and birth defects or other reproductive harm.

Job Name: _____ Page No: _____
 Section No: _____ Contractor: _____
 Schedule No: _____ Purchase Order No: _____