

Location: _____

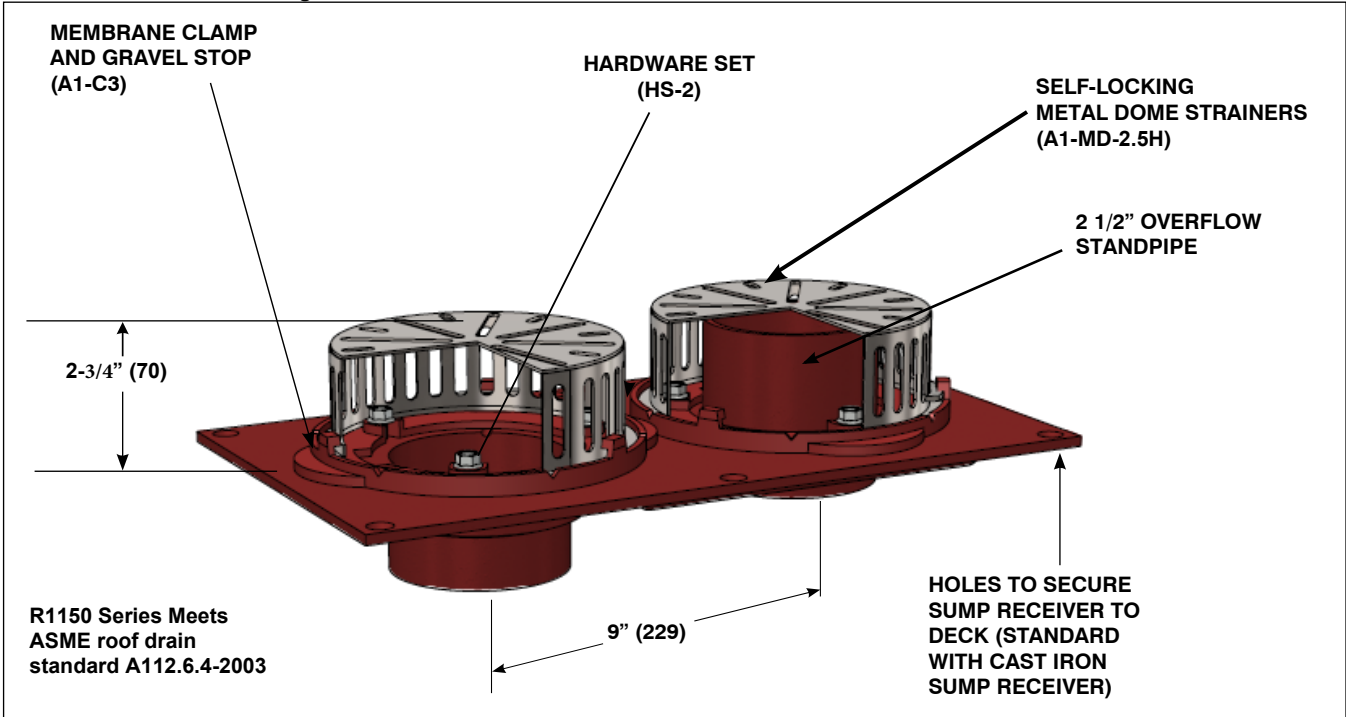


R1150-M-2.75

CAST IRON COMBINED ROOF DRAIN WITH STEINLESS STEEL DOMES AND OVERFLOW PIPE

Specification: MIFAB Series R1150-M-2.75 combined roof drain and secondary overflow system, consisting of one piece lacquered cast iron drain body with integral sump receiver, cast iron waterproofing membrane clamp rings with integral gravel stops, one 2 1/2" (64) high integral cast iron overflow standpipe and two self-locking stainless steel dome strainers with a free area of 20 square inches each and 2 1/2" (64) in height.

Function: Used in any type of conventional or flat roofs where a safety overflow, which receives water only when the accumulation is greater than the height of the standpipe is required to be located beside a standard roof drain. The standpipe can be adjusted to attain the desired overflow water depth. Dome provides for efficient drainage of rainwater and prevents debris from entering the drain line. Anchor flange and membrane clamp with tongue in groove design provides for secure grip of membrane and roof flashing materials.



Model Number	Outlet Size	Outlet Type	Body Height
R152-M-2.75H	2"	No Hub	3" (76)
R153-M-2.75H	3"	No Hub	3" (76)
R154-M-2.75H	4"	No Hub	3" (76)

Suffix	Description
-6	Vandal proof dome (metal domes only)
-11	Acid resistant epoxy coating
-12	Galvanized metal dome
-12A	Galvanized body and membrane clamp
-13	Galvanized body, membrane clamp and dome
-81	Rough bronze dome
-83	Stainless steel mesh screen over dome

(Standard)	No hub outlet
-BA	Minimum 51% material cost made in the USA
-G	Stainless steel ballast guards
-M	Metal domes (Standard)
-PA	Pennsylvania Steel Act compliant product
-W-1	Water proofing flange
-XJ	Vertical expansion joint (see R1900)

Job Name: _____ Page No: _____
 Section No: _____ Contract: _____
 Schedule No: _____ Purchase Order No: _____