

MIFAB ROOF DRAIN FEATURES

R1200-EU

INSULATED INSTALLATION WITH SURFACE MEMBRANE

SELF LOCKING
POLYDOME
STRAINER WITH A
FREE AREA OF 136
SQUARE INCHES

OPTIONAL
DUCTILE IRON
DOME

2 5/16" (60) WIDE SERRATED
MEMBRANE CLAMP AND
GRAVEL STOP

DEEP SUMP

SERRATED
ANCHOR FLANGE

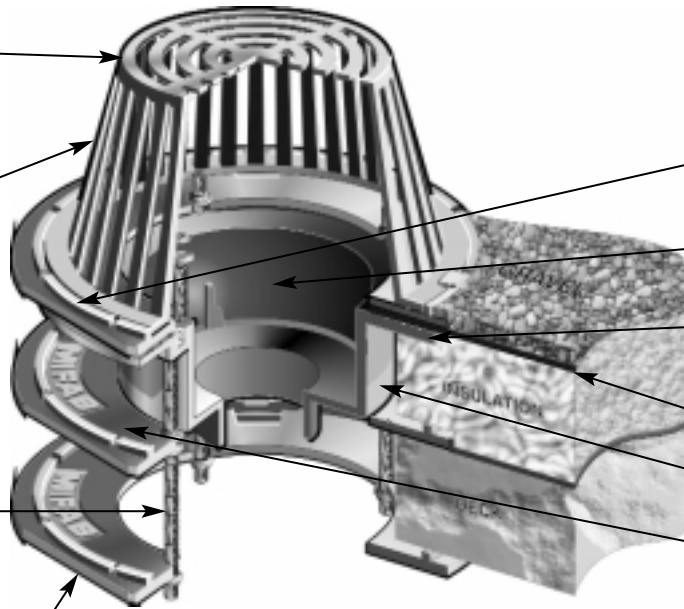
ROOF MEMBRANE

A2 BODY

ADJUSTABLE
CAST IRON EXTENSION
DECK FLANGE (-E)

HARDWARE SET
(HS-3)

UNDERDECK CLAMP (-U)



R1200-HC

IRMA (INVERTED MEMBRANE) INSTALLATION

OPTIONAL DUCTILE
IRON DOME

SELF LOCKING
POLYDOME STRAINER WITH A FREE
AREA OF 136 SQUARE INCHES

ADJUSTABLE BALLAST GUARD WITH
AUXILIARY DRAINAGE SLOTS SIZED
TO PASS FINES BUT NOT BALLAST

2 5/16" (60) WIDE
SERRATED MEMBRANE
CLAMP AND GRAVEL
STOP

SERRATED
ANCHOR FLANGE

ROOF MEMBRANE

OPTIONAL SUMP
RECEIVER

OPTIONAL UNDERDECK
CLAMP (-U)

2 5/16" (60) WIDE
SERRATED
MEMBRANE CLAMP

DEEP SUMP

A2 BODY

