

Location: _____

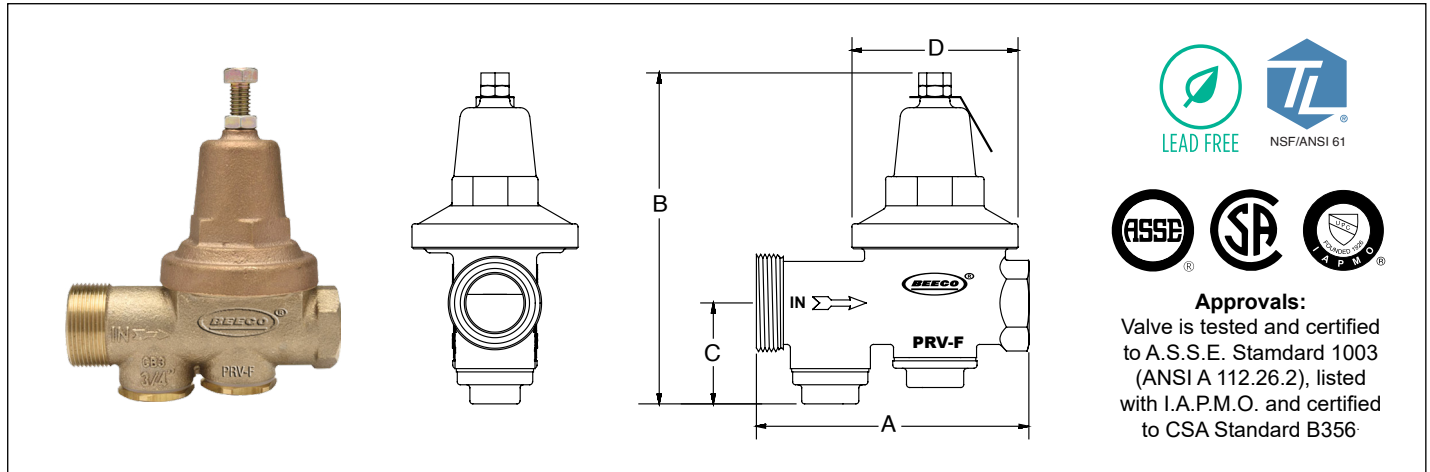


PRV-F

PRV with Integral By-pass Check Valve and Strainer

Specification: The Pressure Reducing Valve shall be certified to NSF/ANSI 61, consist of a low lead bronze body and bronze bell housing, shall have separate access covers for the plunger and strainer screen and shall have a bolt to adjust the downstream pressure. The Pressure Reducing Valve shall reduce pressure in both flow and no-flow conditions. The bronze bell housing and access caps shall be threaded to the body and shall not require the use of ferrous screws. The Pressure Reducing Valve shall be a BEECO® Model PRV-F.

APPLICATION: This valve directly replaces a single union competitor model 25AUB. Ideal for use where Lead-Free* valves are required. Designed for installation on potable water lines to reduce high inlet pressure to a lower outlet pressure. The integral strainer makes this device most suitable for residential and commercial water systems requiring frequent cleaning because of sediment and debris. The direct acting integral by-pass design prevents buildup of excessive system pressure caused by thermal expansion. The balanced piston design enables the regulator to react in a smooth and responsive manner to changes in system flow demand, while at the same time, providing protection from inlet pressure changes.



Approvals:
Valve is tested and certified to A.S.S.E. Standard 1003 (ANSI A 112.26.2), listed with I.A.P.M.O. and certified to CSA Standard B356

MODEL	DESCRIPTION
PRV.75-SU-IPS-F-LL	Range 25PSI to 75PSI factory set at 50PSI
PRV.75-SU-IPS-F-LL-HP	Range 75 to 125PSI factory set at 90PSI
PRV1.00-SU-IPS-F-LL	Range 25PSI to 75PSI factory set at 50PSI
PRV1.00-SU-IPS-F-LL-HP	Range 75 to 125PSI factory set at 90PSI

All valves come standard with Sealed Cage, Stainless Steel locking nut and adjusting screw.

DIMENSIONS & WEIGHTS (WITHOUT PACKAGING)													
SIZE		CONNECTIONS	DIMENSIONS (APPROXIMATE)								WEIGHT		
			A		B		C		D				
Inch	Mm		Inch	Mm	Inch	Mm	Inch	Mm	Inch	Mm	Lbs.	Kg.	
3/4	20	SINGLE UNION	5 5/16	135	5 1/2	140	1 1/4	32	2 3/4	70	3	1.5	
3/4	20	LESS UNION	4 5/8	117	5 1/2	140	1 1/4	32	2 3/4	70	3	1.5	
1	25	SINGLE UNION	6	152	7 1/4	184	2	51	3 3/8	86	5	2.5	
1	25	LESS UNION	5 3/16	132	7 1/4	184	2	51	3 3/8	86	5	2.5	

CALIFORNIA PROPOSITION 65 WARNING. This product contains chemicals known to the State of California to cause cancer and birth defects or other reproductive harm.

Job Name: _____ Page No: _____
 Section No: _____ Contractor: _____
 Schedule No: _____ Purchase Order No: _____

Location: _____



PRV-F

PRV with Integral By-pass Check Valve and Strainer

STANDARDS COMPLIANCE:

- ASSE® Listed 1003
- IAPMO® Listed
- CSA® Certified
- Meets the requirements of NSF/ANSI 61*
- 0.25% Max. Weighted Average Lead Content)

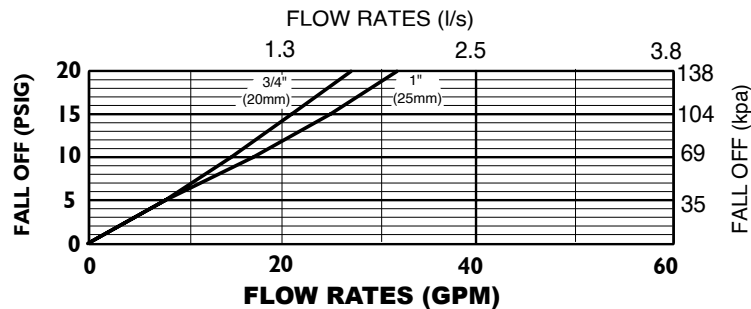
FEATURES	
Sizes	3/4", 1"
Maximum working water pressure	300 psi
Maximum working water temperature	140°F
Reduced pressure range (standard)	25 psi to 75 psi
Factory preset	50 psi
Hydrostatic test pressure	300 psi

MATERIALS	
Main valve body Access covers	Low Lead Cast Bronze ASTM B 584 Low Lead Cast Bronze ASTM B 584 Low Lead Brass
Fasteners Stem & plunger	Stainless Steel, 300 Series Low Lead Cast Bronze ASTM B 584 Low Lead Brass
Elastomers	Buna Nitrile, (FDA Approved) EPDM, (FDA Approved)
Cap gaskets	Natural Vulcanized Fibre Acetal (Delrin™)
Strainer screen Seat	Stainless Steel, 300 Series Strainer Stainless Steel, 300 Series

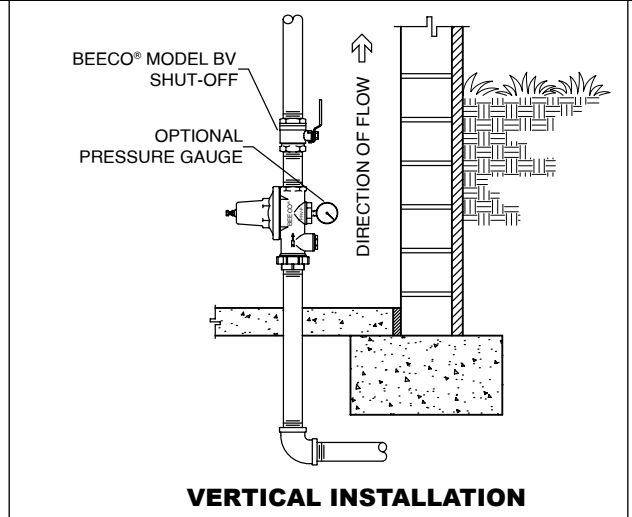
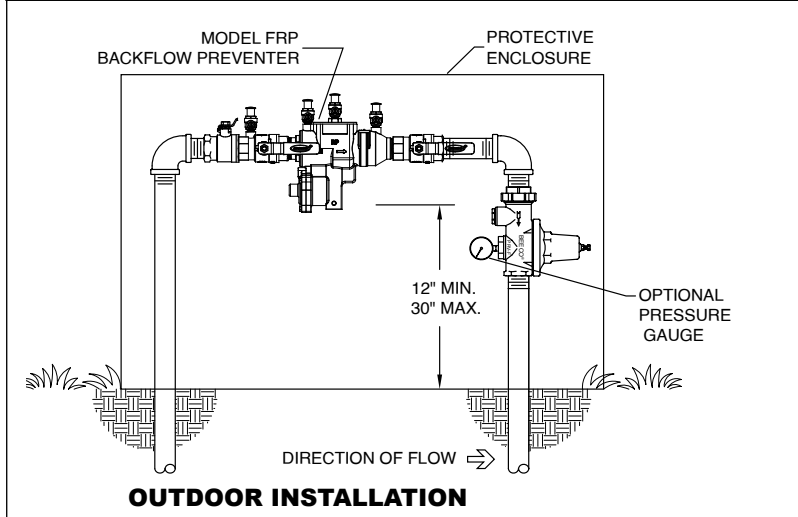
MODEL PRV-F 3/4" & 1" (STANDARD & METRIC)

Flow Characteristics

Rated Flow (established by approval agencies)



"Flow curves are based on a 50 psi pressure differential"



TYPICAL INSTALLATION: Local codes shall govern installation requirements. Unless otherwise specified, the assembly shall be mounted in accordance with the latest edition of the Uniform Plumbing Code. The Model PRV-F may be installed in any position. Multiple installations are recommend for wide demand variations or where the desired pressure reduction is more than 4 to 1 (i.e.: 200 psi inlet reduced to 50 psi outlet).

CAUTION: Anytime a reducing valve is adjusted, a pressure gauge must be used downstream to verify correct pressure setting. Do not bottom adjustment bolt on bell housing.

CALIFORNIA PROPOSITION 65 WARNING. This product contains chemicals known to the State of California to cause cancer and birth defects or other reproductive harm.

Job Name: _____ Page No: _____
 Section No: _____ Contractor: _____
 Schedule No: _____ Purchase Order No: _____

MIFAB reserves the right to make changes in material and design without formal notice and obligation.