

Location: \_\_\_\_\_



**PA**

**PLASTIC ACCESS DOOR**

**Specification:** MIFAB® Series PA plastic access door is designed to provide easy access to plumbing and cables behind walls and ceilings. The door is removable from the frame and fits tightly with snap latches. The light color finish can be painted or wallpapered or left as is to match the surrounding environment. This door should not be installed near any existing or potential source of excessive heat or open flame.

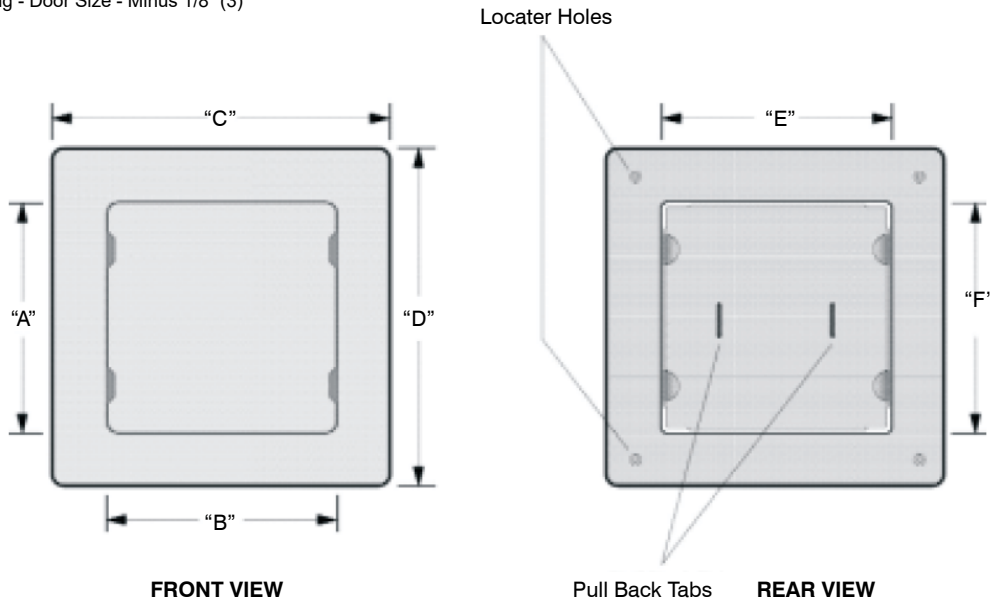
- Material:** PA Series is made of 1/8" (3) thick high impact styrene plastic with U.V. stabilizers to prevent fading and corrosion.
- Finish:** Light Color
- Door:** Flush to frame - rounded safety corners. Two pull tabs on the back of the door allow door to be pulled back into the frame from behind walls and ceilings.
- Frame:** One piece outside flange that is 1 1/2" (38) wide with a 5/8" deep mounting flange. Snap
- Latch:** latches allow door to fit tightly into frame.
- Packaging:** 8" x 8" (203 x 203) and 14" x 14" (356 x 356) doors are packed 15 per carton and the 14" x 29" (356 x 736) doors are packed 5 per carton.



**A-B** Door Size

**C-D** Overall Dimensions - Door Size - Plus 3" (76)

**E-F** Wall Opening - Door Size - Minus 1/8" (3)



MODEL #	PA SERIES	WALL OPENING	SHIPPING WEIGHT (Lbs.) (UNIT)	SHIPPING WEIGHT (Lbs.) (CARTON)
PA0808	8" x 8"	7 7/8" x 7 7/8"	0.75	14
PA1414	14" x 14"	13 7/8" x 13 7/8"	1.75	30
PA1429	14" x 29"	13 7/8" x 28 7/8"	2.90	17

**(Dimension) Denotes Millimetres**

**NOTE:** The hinge is always furnished on the "A" or height (longer) dimension, unless otherwise specified.

CALIFORNIA PROPOSITION 65 WARNING. This product contains chemicals known to the State of California to cause cancer and birth defects or other reproductive harm.

Job Name: \_\_\_\_\_ Page No: \_\_\_\_\_  
 Section No: \_\_\_\_\_ Contractor: \_\_\_\_\_  
 Schedule No: \_\_\_\_\_ Purchase Order No: \_\_\_\_\_