

Location: \_\_\_\_\_



**P9900**

**110MM OUTLET - PLASTIC AND FINISHED EDGE FRAME CLEANOUT**

**OPULENZ®**

**Specification:** MIFAB® Series of Plastic and Finished Edge Frame Cleanouts are tested and certified to the ASME A112.36.2M Standard and are listed with I.A.P.M.O.

**Features:**

- Electro-polished Type 304 Stainless Steel gasketed cover with four point lockdown, 110mm outlet.

**Optional:**

- Chrome plated, aluminum edge frame. (See below -F Models).



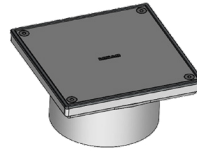
Compliance



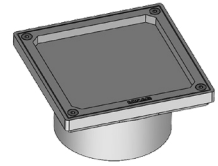
ADA



HEELPROOF

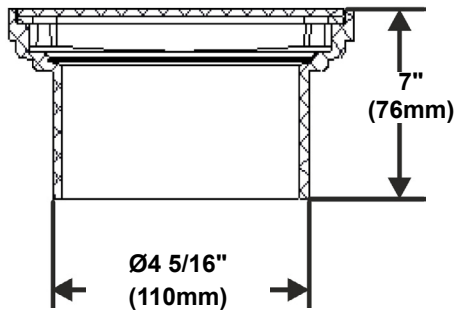


(Illustrated with solid cover)

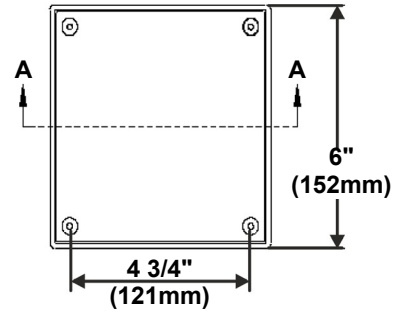


(Illustrated with Tile Inlay cover)

**CROSS SECTION DETAIL**



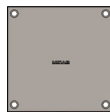
**PLAN VIEW DETAIL**



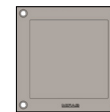
(Illustrated with solid cover)

**COVER OPTIONS**

**SOLID**



**TILE INLAY**



(3/8" recess)

MODEL NUMBER	DESCRIPTION	GRATE PATTERN	WEIGHT (lbs.)
P9704-QT	Plastic Edge	Quatro	0.75
P9704-TI	Plastic Edge	Tile Inlay	0.75
P9704-WV	Plastic Edge	Wave	0.75
P9704-F-QT	Chrome Plated, Aluminum Edge Frame	Quatro	0.75
P9704-F-TI	Chrome Plated, Aluminum Edge Frame	Tile Inlay	0.75
P9704-F-WV	Chrome Plated, Aluminum Edge Frame	Wave	0.75

CALIFORNIA PROPOSITION 65 WARNING. This product contains chemicals known to the State of California to cause cancer and birth defects or other reproductive harm.

Job Name: \_\_\_\_\_

Page No: \_\_\_\_\_

Section No: \_\_\_\_\_

Contractor: \_\_\_\_\_

Schedule No: \_\_\_\_\_

Purchase Order No: \_\_\_\_\_