

Location: \_\_\_\_\_



**P9800**

**STAINLESS STEEL  
POINT DRAINS**

**OPULENZ®**

**Specification:** MIFAB® Series of Stainless Steel Point Drains are tested and certified to the ASME A112.6.3 Standard and are listed with IAPMO.

**Features:**

- 6" x 6" Stainless Steel body
- Electro-polished Type 304 Stainless Steel grates in various designs.

**Also includes:**

- 2" (51mm) spigot outlet.
- Hair strainer and grate lifting key.
- Rubber gasket, membrane clamp and 2" PVC socket outlet body.

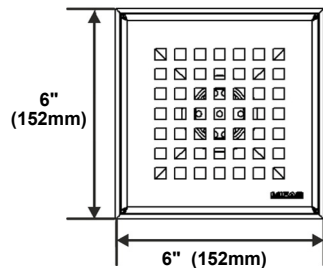
**Optional:**

- 2" no hub outlet cast iron body & membrane clamp. (See Page 13 for dimensions).

Compliance

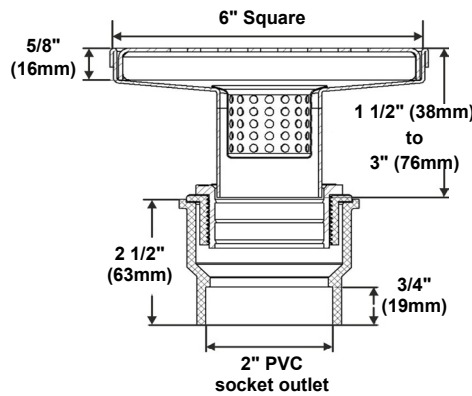


**PLAN VIEW DETAIL**



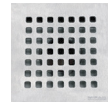
(Illustrated with Quatro grate)

**CROSS SECTION DETAIL**



**GRATE OPTIONS**

**QUATRO**



**TILE INLAY**  
(3/8" recess)



**WEDGEWIRE**



**WAVE**



**SUBWAY**



**P9000-KEY**



Grate Lifting Key

**P9000-POG**



Rubber Gasket

**P9002-PS**



Hair Strainer

**P9002-DB-31**



2" PVC body / clamp

MODEL NUMBER	DESCRIPTION	GRATE PATTERN	WEIGHT (lbs.)
P9802-QT	Type 304 Stainless Steel body / grate	Quatro	2.00
P9802-TI	Type 304 Stainless Steel body / grate	Tile Inlay	2.00
P9802-WW	Type 304 Stainless Steel body / grate	Wedgewire	2.00
P9802-WV	Type 304 Stainless Steel body / grate	Wave	2.00
P9802-SB	Type 304 Stainless Steel body / grate	Subway	2.00

CALIFORNIA PROPOSITION 65 WARNING. This product contains chemicals known to the State of California to cause cancer and birth defects or other reproductive harm.

Job Name: \_\_\_\_\_

Page No: \_\_\_\_\_

Section No: \_\_\_\_\_

Contractor: \_\_\_\_\_

Schedule No: \_\_\_\_\_

Purchase Order No: \_\_\_\_\_