

Location: _____



P9700

110MM OUTLET – PLASTIC AND FINISHED EDGE FRAME POINT DRAINS

OPULENZ®

Specification: MIFAB® Series of Plastic and Finished Edge Frame Point Drains are tested and certified to the ASME A112.6.3 Standard and are listed with I.A.P.M.O.

Features:

- Electro-polished Type 304 Stainless Steel grates in various designs.

Also includes:

- 110mm outlet.
- Hair strainer and grate lifting key.

Optional:

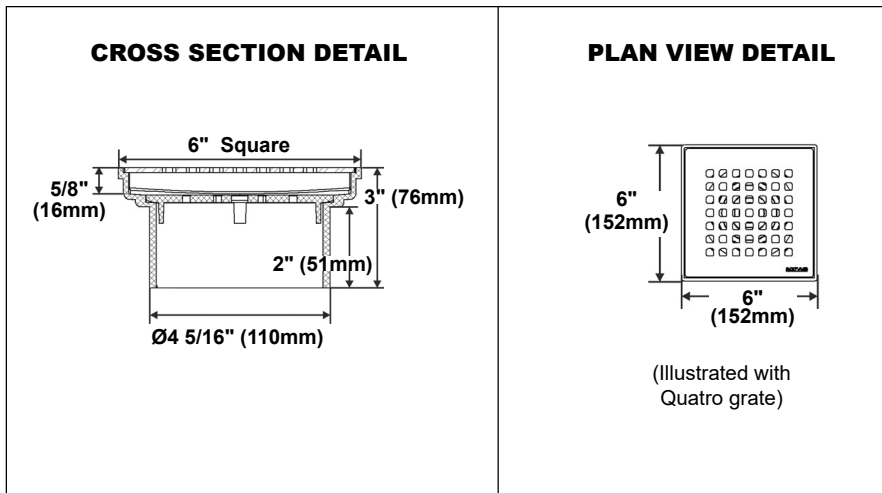
- Chrome plated, aluminum edge frame. (See below -F Models)



Compliance

(Illustrated with Quatro grate)

(Illustrated with Tile Inlay grate and with chrome plated, aluminum edge frame)



GRATE OPTIONS

QUATRO

TILE INLAY
(3/8" recess)

WAVE

WEDGEWIRE

P9000-KEY

Grate Lifting Key

P9002-PS-31

Hair Strainer

MODEL NUMBER	DESCRIPTION	GRATE PATTERN	WEIGHT (lbs.)
P9704-QT	Plastic Edge	Quatro	0.75
P9704-TI	Plastic Edge	Tile Inlay	0.75
P9704-WV	Plastic Edge	Wave	0.75
P9704-WW	Plastic Edge	Wedgewire	0.75
P9704-F-QT	Chrome Plated, Aluminum Edge Frame	Quatro	0.75
P9704-F-TI	Chrome Plated, Aluminum Edge Frame	Tile Inlay	0.75
P9704-F-WV	Chrome Plated, Aluminum Edge Frame	Wave	0.75
P9704-F-WW	Chrome Plated, Aluminum Edge Frame	Wedgewire	0.75

CALIFORNIA PROPOSITION 65 WARNING. This product contains chemicals known to the State of California to cause cancer and birth defects or other reproductive harm.

Job Name: _____ Page No: _____

Section No: _____ Contractor: _____

Schedule No: _____ Purchase Order No: _____

MIFAB reserves the right to make changes in material and design without formal notice and obligation.

USA: 1-800-465-2736 www.mifab.com CAN: 1-800-387-3880