

Location: _____



P9600

2" OUTLET – PLASTIC AND FINISHED EDGE FRAME POINT DRAINS

OPULENZ®

Specification: MIFAB® Series of Plastic and Finished Edge Frame Point Drains are tested and certified to the ASME A112.6.3 Standard and are listed with I.A.P.M.O.

Features:

- 6" x 6" ABS body
- Electro-polished Type 304 Stainless Steel grates in various designs.

Also includes:

- 2" (51mm) spigot outlet.
- Hair strainer and grate lifting key.
- Threaded adapter, membrane clamp and 2" PVC socket outlet body.

Optional:

- 2" no hub outlet cast iron body and membrane clamp. (See Page 13 for dimensions).
- Chrome plated, aluminum edge frame. (See below -F Models)

Compliance

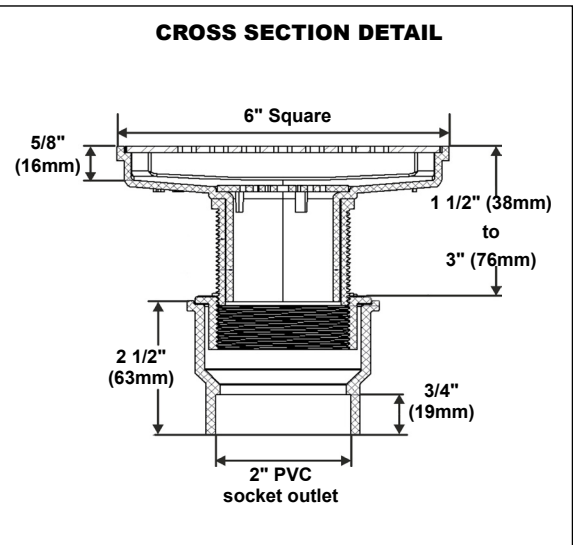
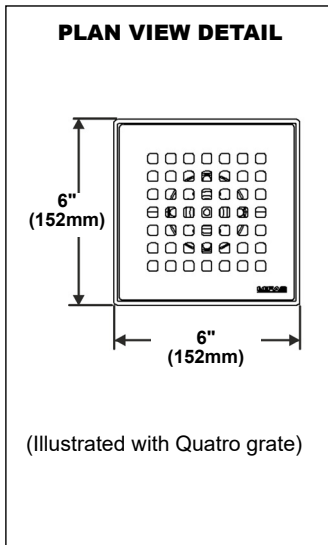
ADA

HEELPROOF

DRAIN WITH CHROME PLATED, ALUMINUM EDGE FRAME

(Illustrated with Wave grate. All accessories also included)

(Illustrated with Quatro grate)



GRATE OPTIONS

QUATRO

TILE INLAY
(3/8" recess)

WAVE

WEDGEWIRE

P9000-KEY

Grate Lifting Key

P9002-PS-31

Hair Strainer

P9002-ADP-31

Threaded Adapter

P9002-DB-31

2" PVC body / clamp

MODEL NUMBER	DESCRIPTION	GRATE PATTERN	WEIGHT (lbs.)
P9602-QT	Plastic Edge	Quatro	0.75
P9602-TI	Plastic Edge	Tile Inlay	0.75
P9602-WV	Plastic Edge	Wave	0.75
P9602-WW	Plastic Edge	Wedgewire	0.75
P9602-F-QT	Chrome Plated, Aluminum Edge Frame	Quatro	0.75
P9602-F-TI	Chrome Plated, Aluminum Edge Frame	Tile Inlay	0.75
P9602-F-WV	Chrome Plated, Aluminum Edge Frame	Wave	0.75
P9602-F-WW	Chrome Plated, Aluminum Edge Frame	Wedgewire	0.75

CALIFORNIA PROPOSITION 65 WARNING. This product contains chemicals known to the State of California to cause cancer and birth defects or other reproductive harm.

Job Name: _____ Page No: _____

Section No: _____ Contractor: _____

Schedule No: _____ Purchase Order No: _____