

Location: \_\_\_\_\_



**P9100**

**PLASTIC EDGE  
SHOWER CHANNELS**

**OPULENZ®**

**Specification:** MIFAB® Series of Plastic Shower Drains are tested and certified to the ASME A112.6.3 Standard and are listed with I.A.P.M.O.

**Features:**

- ABS channels available in 27", 36" and 48" lengths.
- Narrow width body to align flush against wall.
- Electro-polished Type 304 Stainless Steel grates in various designs.

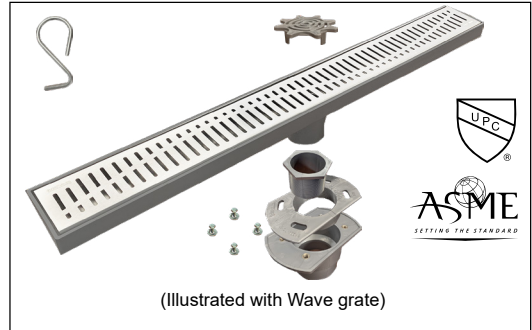
**Also includes:**

- 2" (51mm) spigot outlet.
- Hair strainer and grate lifting key.
- Threaded adapter, membrane clamp and 2" PVC socket outlet body.

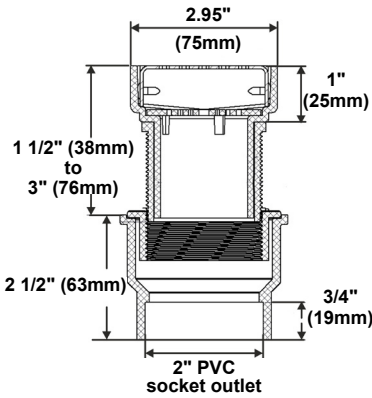
**Optional:**

- 2" no hub outlet cast iron body and membrane clamp. (See Page 13 for dimensions).

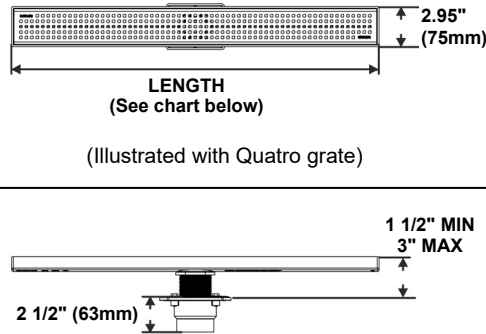
**Compliance**



**CROSS SECTION VIEW  
OF P9100 CHANNEL**



**PLAN AND SIDE VIEW OF  
P9100 CHANNEL**



**GRATE OPTIONS**



**QUATRO**



**TILE INLAY (3/8" recess)**



**WAVE**



**WEDGEWIRE**

**P9000-KEY**



Grate Lifting Key

**P9002-PS-31**



Hair Strainer

**P9002-ADP-31**



Threaded Adapter

**P9002-DB-31**



2" PVC body / clamp

MODEL NUMBER	LENGTH	GRATE PATTERN	WEIGHT (lbs.)
P9102-27-QT	27"	Quatro	2.50
P9102-36-QT	36"	Quatro	3.00
P9102-48-QT	48"	Quatro	3.75
P9102-27-TI	27"	Tile Inlay	2.50
P9102-36-TI	36"	Tile Inlay	3.00
P9102-48-TI	48"	Tile Inlay	3.75
P9102-27-WV	27"	Wave	2.50
P9102-36-WV	36"	Wave	3.00
P9102-48-WV	48"	Wave	3.75
P9102-27-WW	27"	Wedgewire	2.50
P9102-36-WW	36"	Wedgewire	2.50
P9102-48-WW	48"	Wedgewire	2.50

CALIFORNIA PROPOSITION 65 WARNING. This product contains chemicals known to the State of California to cause cancer and birth defects or other reproductive harm.

Job Name: \_\_\_\_\_

Page No: \_\_\_\_\_

Section No: \_\_\_\_\_

Contractor: \_\_\_\_\_

Schedule No: \_\_\_\_\_

Purchase Order No: \_\_\_\_\_