

Location: _____



P9000

**ALL STAINLESS STEEL
SHOWER CHANNELS**

OPULENZ®

Specification: MIFAB® Series of Stainless Steel Shower Drains are tested and certified to the ASME A112.6.3 Standard and are listed with I.A.P.M.O.

Features:

- Stainless Steel channels available in 27", 32", 36", 42" 48" & 56" lengths.
- Narrow width body to align flush against wall.
- Electro-polished Type 304 Stainless Steel grates in various designs.

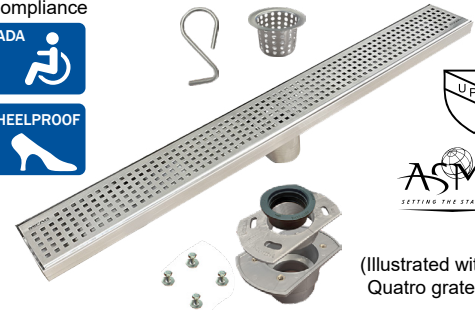
Also includes:

- 2" (51mm) spigot outlet.
- Hair strainer and grate lifting key.
- Rubber gasket, membrane clamp and 2" PVC socket outlet body.

Optional:

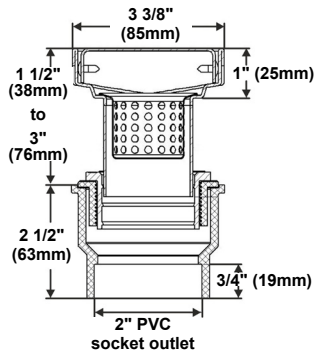
- 2" no hub outlet cast iron body & membrane clamp. (See Page 13 for dimensions.)

Compliance

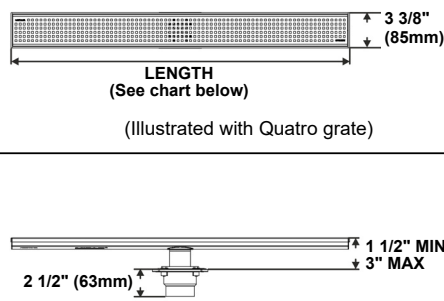


(Illustrated with Quatro grate)

**CROSS SECTION VIEW OF
P9000 CHANNEL**



**PLAN AND SIDE VIEW OF
P9000 CHANNEL**



GRATE OPTIONS

QUATRO



TILE INLAY



WEDGEWIRE



WAVE



SUBWAY



PERIMETER



P9000-KEY



Grate Lifting Key

P9000-POG



Rubber Gasket

P9002-PS



Hair Strainer

P9002-DB-31



2" PVC body / clamp

MODEL NUMBER	LENGTH	GRATE PATTERN	WEIGHT (lbs.)
P9000-QT-27	27"	Quatro	7.50
P9000-QT-32	32"	Quatro	7.50
P9000-QT-36	36"	Quatro	7.50
P9000-QT-42	42"	Quatro	7.50
P9000-QT-48	48"	Quatro	7.50
P9000-QT-56	56"	Quatro	7.50
P9000-SB-27	27"	Subway	7.50
P9000-SB-32	32"	Subway	7.50
P9000-SB-36	36"	Subway	7.50
P9000-SB-42	42"	Subway	7.50
P9000-SB-48	48"	Subway	7.50
P9000-SB-56	56"	Subway	7.50
P9000-TI-27	27"	Tile Inlay	7.50
P9000-TI-32	32"	Tile Inlay	7.50
P9000-TI-36	36"	Tile Inlay	7.50
P9000-TI-42	42"	Tile Inlay	7.50
P9000-TI-48	48"	Tile Inlay	7.50
P9000-TI-56	56"	Tile Inlay	7.50

MODEL NUMBER	LENGTH	GRATE PATTERN	WEIGHT (lbs.)
P9000-WV-27	27"	Wave	7.50
P9000-WV-32	32"	Wave	7.50
P9000-WV-36	36"	Wave	7.50
P9000-WV-42	42"	Wave	7.50
P9000-WV-48	48"	Wave	7.50
P9000-WV-56	56"	Wave	7.50
P9000-WW-27	27"	Wedgewire	7.50
P9000-WW-32	32"	Wedgewire	7.50
P9000-WW-36	36"	Wedgewire	7.50
P9000-WW-42	42"	Wedgewire	7.50
P9000-WW-48	48"	Wedgewire	7.50
P9000-WW-56	56"	Wedgewire	7.50
P9000-PD-27	27"	Perimeter	7.50
P9000-PD-32	32"	Perimeter	7.50
P9000-PD-36	36"	Perimeter	7.50
P9000-PD-42	42"	Perimeter	7.50
P9000-PD-48	48"	Perimeter	7.50
P9000-PD-56	56"	Perimeter	7.50

CALIFORNIA PROPOSITION 65 WARNING. This product contains chemicals known to the State of California to cause cancer and birth defects or other reproductive harm.

Job Name: _____

Page No: _____

Section No: _____

Contractor: _____

Schedule No: _____

Purchase Order No: _____